

Product Description

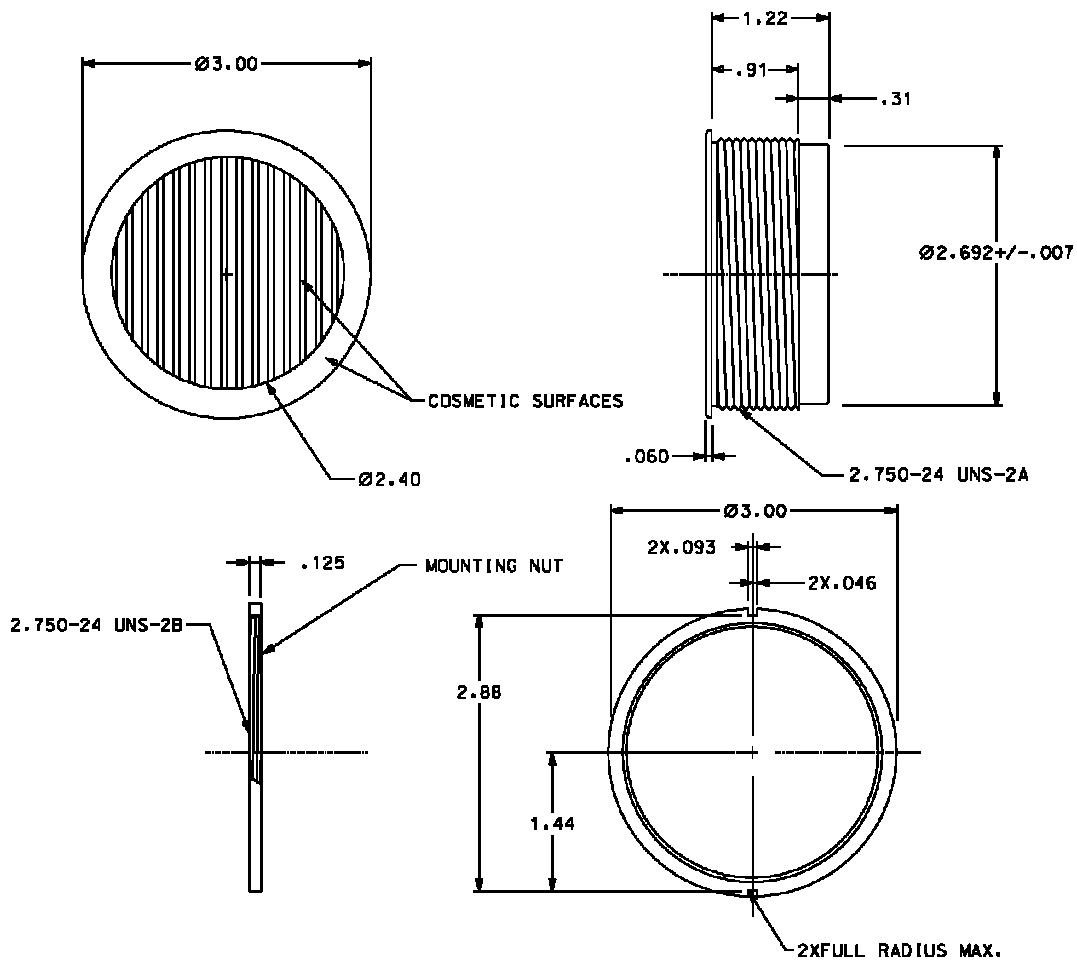
Perfect for lavatory and galley areas

Standard black or clear anodized finish

Available in custom plated finishes

Mounting nut type installation

Rigid aluminum grill construction



The air grill is designed to provide air distribution for crew areas, galleys, and lavatories. The air grill has light weight aluminum construction and installs with a mounting nut. PC7067-1 plenum cap assembly is available as a hose interface accessory.

14321 Commerce Drive
Garden Grove CA, 92843

Phone: 714-554-9782
714-554-3659
www.birkaero.net

