



## Product Description

Durable plastic louver air valve

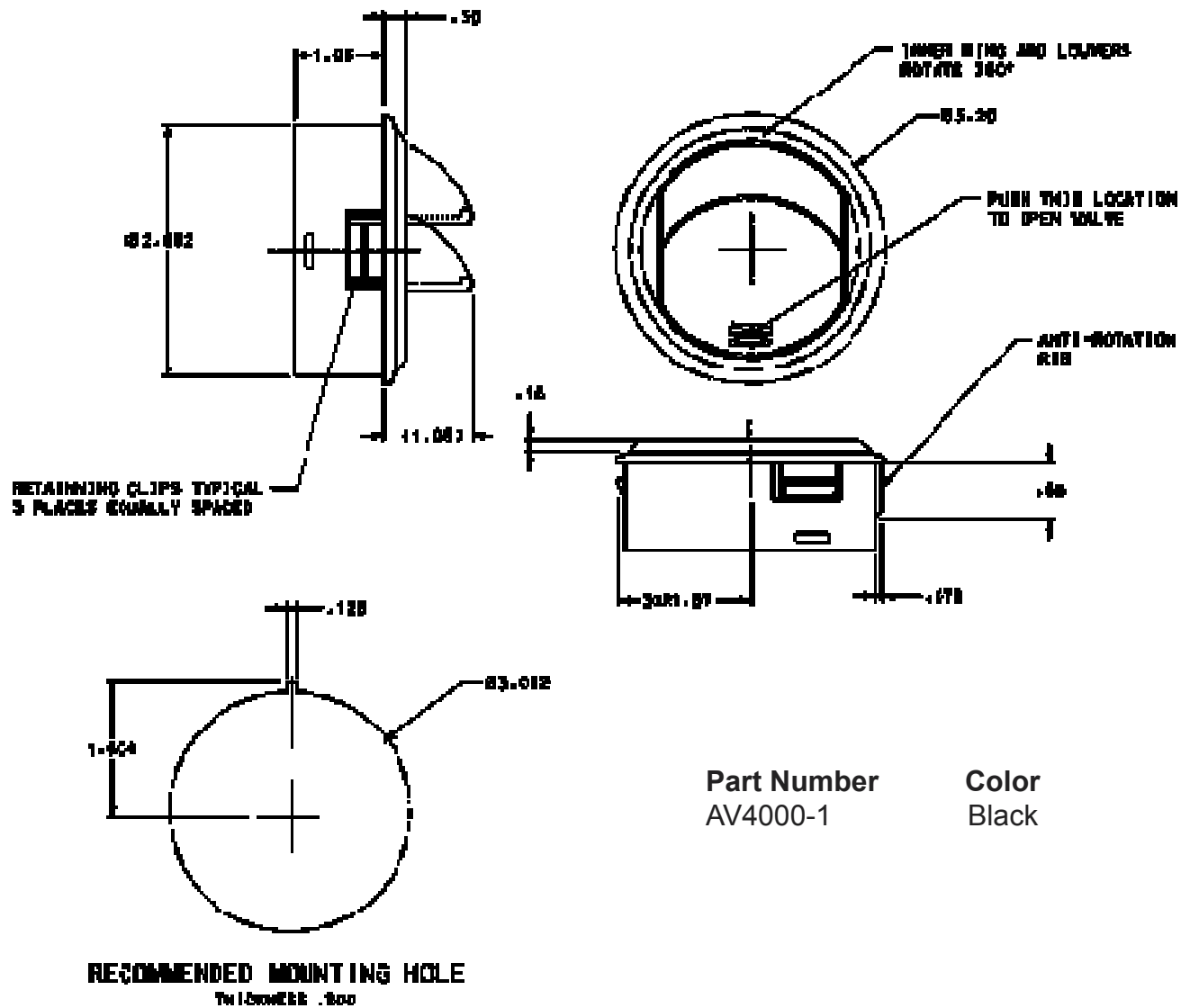
Two vane shutoff

Black color

Wide air flow pattern

Anti-rotation rib fixes air valve in place

Easy snap-in installation

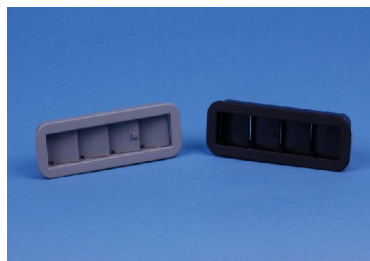


AV4000 is a two vane louver air valve made from injection molded nylon. The large orifice design of the AV4000 provides a wide air flow pattern. The vane housing rotates 360 degrees for directional control of the air stream. The anti-rotation rib on the side of the housing prevents the air valve from rotating when adjusting the vanes.

### Additional Louver Air Valves

AV4001

AV4002



14321 Commerce Drive  
Garden Grove CA, 92843

Phone: 714-554-9782  
Fax: 714-554-3659  
[www.birkaero.net](http://www.birkaero.net)