



## Product Description

Poppet type design for low leakage

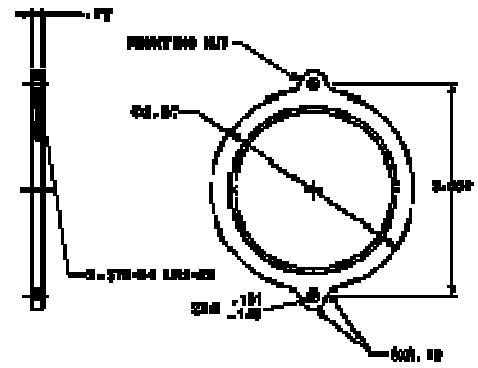
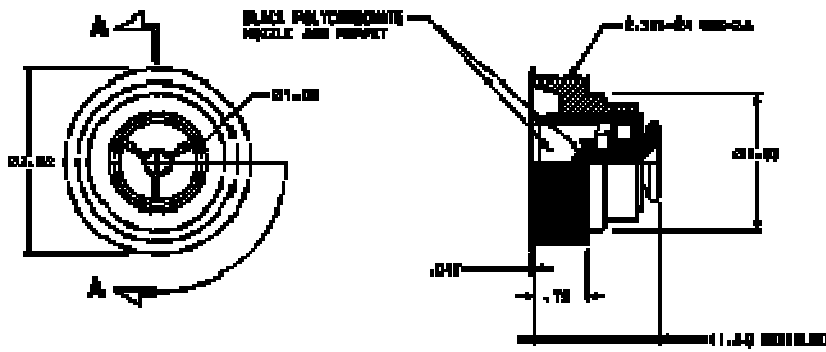
Durable aluminum construction of ball, collar, and flange

Injection molded black nozzle and poppet

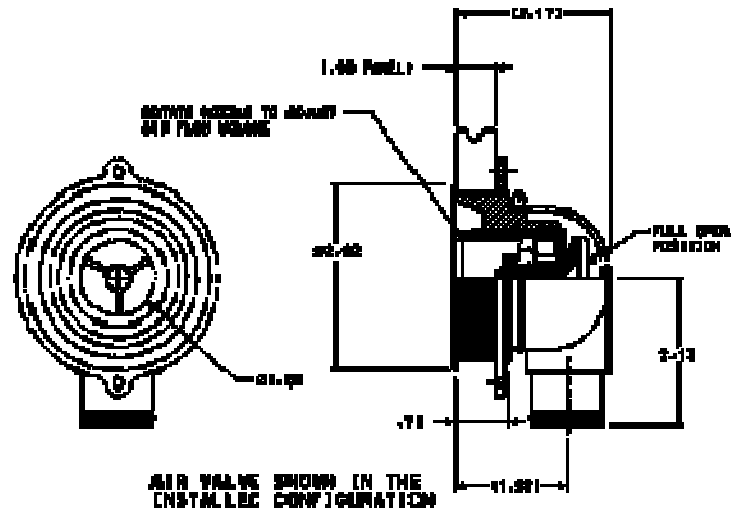
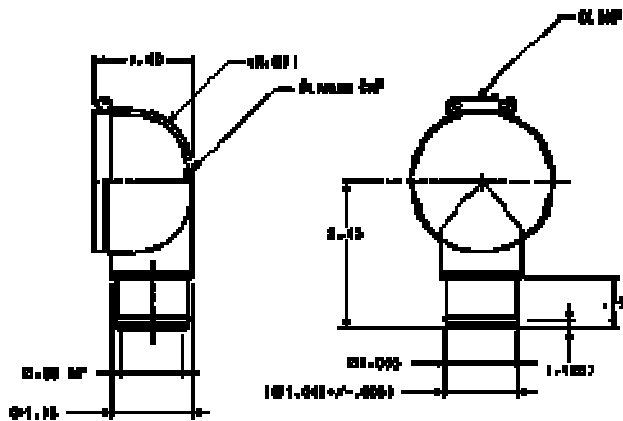
1.06 inch inside diameter nozzle

Smooth nozzle grip

Mounting nut type installation



**SECTION A-A**



The AV4086 poppet type air valve is designed to provide high air flow volumes at low duct pressures and has minimal leakage in the closed position. The air valve is a fixed position type designed for galley cabinets and crew area installations. The nozzle is provided in black plastic to reduce condensation and weight. The air valve includes mounting nut and a plenum cap which accomdates 1.00 inch inside diameter supply hoses.

14321 Commerce Drive  
Garden Grove CA, 92843

Phone: 714-554-9782  
Fax: 714-554-3659  
www.birkaero.net