

Product Description

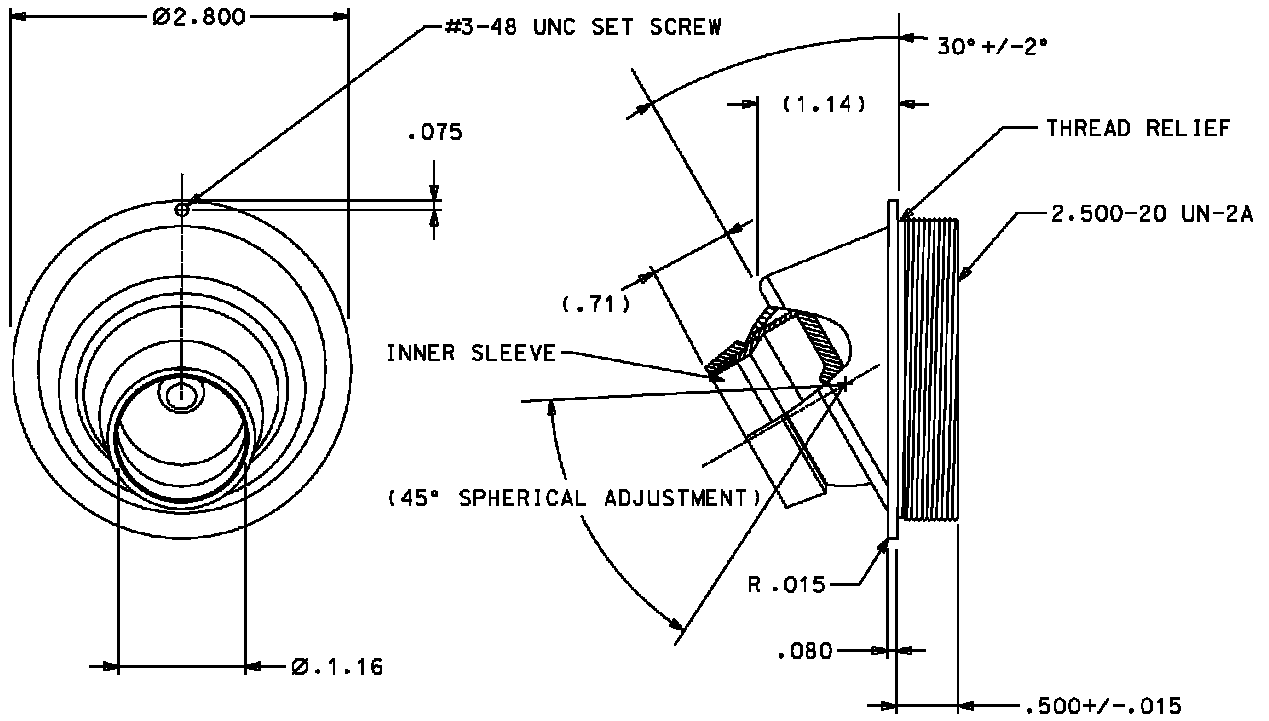
Durable clear anodized finish

Disc type design allows superior air flow control

Low air leakage

Angle flange design

1.16 inch inside diameter nozzle



The disc type design, supplied with a clear anodized finish, allows for a larger air flow pattern and little air leakage. The angled flange on the AV4120 maximizes air flow control and is perfect for providing air along window edges and in the cockpit.

14321 Commerce Drive
Garden Grove CA, 92843

Phone: 714-554-9782
Fax: 714-554-3659
www.birkaero.net