



Product Description

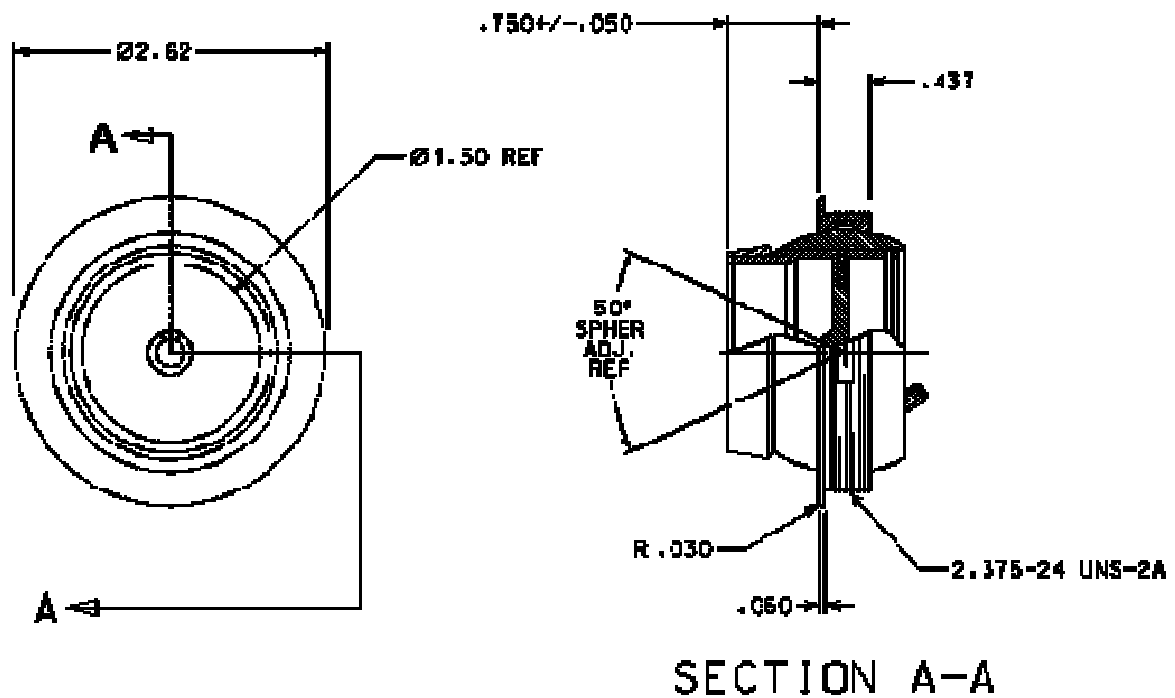
Smooth nozzle finger grip

Durable aluminum construction

Disc type design provides large air flow volumes

1.50 inside diameter nozzle

Mounting nut type installation



This disc type air valve is designed for high flow volumes at low duct pressure. The air valve is designed for cockpit and main cabin passenger cooling applications. Other applications are crew areas and galleys. The air valve installs with a mounting nut which is available as an accessory.

14321 Commerce Drive
Garden Grove CA, 92843

Phone: 714-554-9782
Fax: 714-554-3659
www.birkaero.net