

Product Description

Durable clear anodized finish

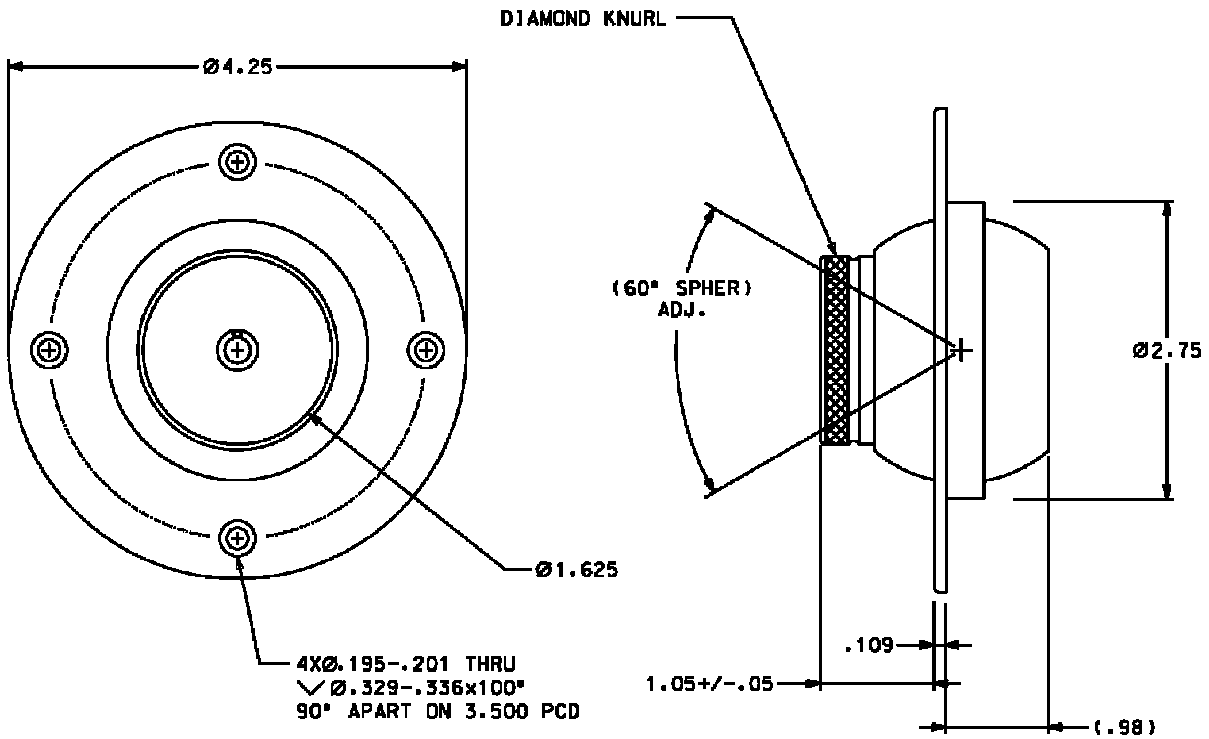
Disc type design allows superior air flow control

Low air leakage

Diamond knurl nozzle grip

1.63 inch inside diameter nozzle

Screw mount type installation



The disc type design, supplied with a clear or black anodized finish, allows for a larger air flow pattern and low air leakage. The air valve has four countersunk holes for ease of installation. The air valve is designed primarily for crew and galley areas.

14321 Commerce Drive
Garden Grove CA, 92843

Phone: 714-554-9782
Fax: 714-554-3659
www.birkaero.net