

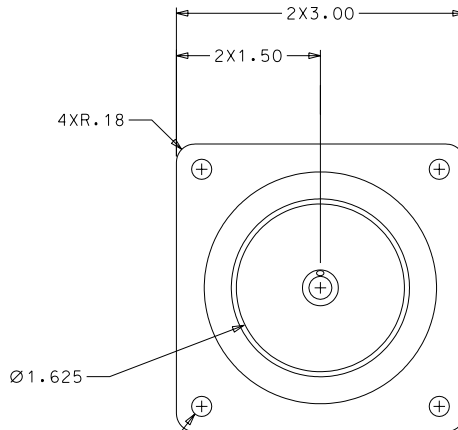
THE INFORMATION DISCLOSED HEREIN WAS ORIGINATED BY AND IS THE PROPERTY OF BIRK AEROSYSTEMS CORPORATION. BIRK AEROSYSTEMS CORPORATION RESERVES ALL PATENT, PROPRIETARY, DESIGN, USE, MANUFACTURING AND REPRODUCTION RIGHTS THERETO.

REV STATUS OF SHEET	REV	A					
	SHEET	1					

REVISION				
ZONE	REV	DESCRIPTION	DATE	APPROVED
	-	SEE DCN 1423.	02-05-03	BLB
	A	SEE DCN 1599.	02-10-01	BLB

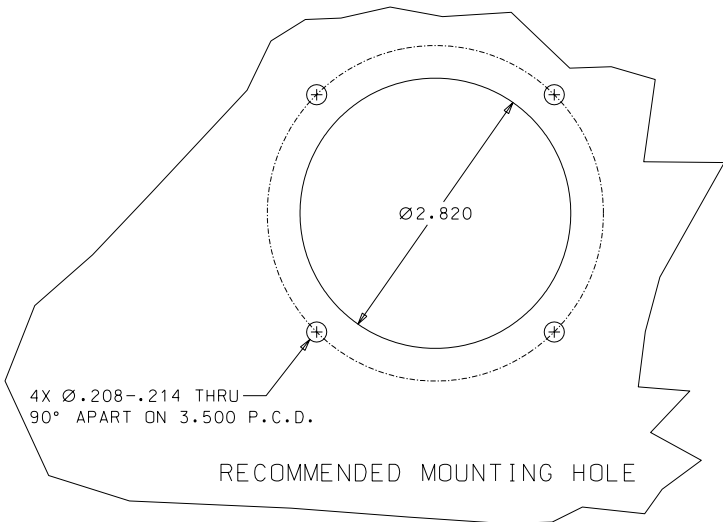
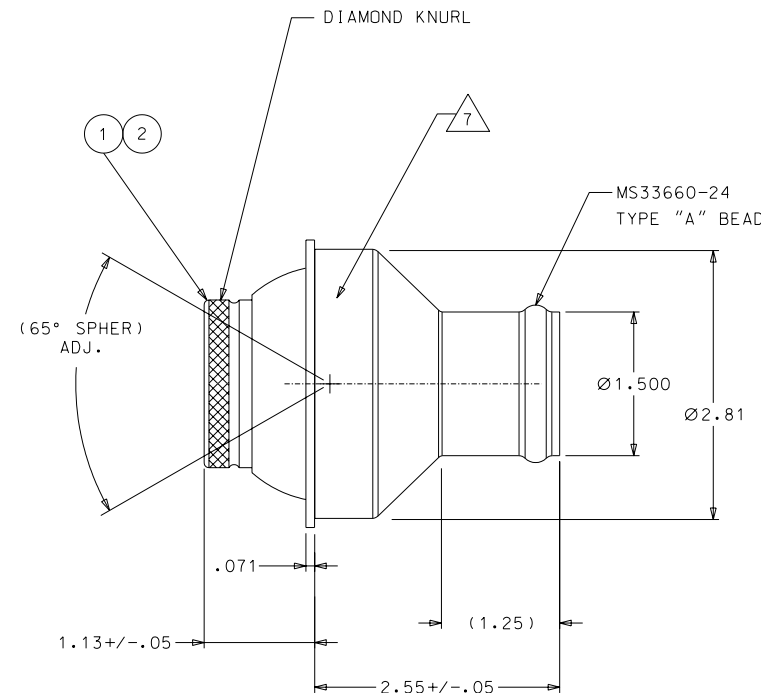
NOTE(S):

- AIR FLOW IN FULLY OPENED POSITION AND 0.50 INCHES OF WATER PRESSURE: 22.0 SCFM MINIMUM
- LEAKAGE IN FULLY CLOSED POSITION AT 5.0 INCHES OF APPLIED WATER PRESSURE: 0.30 SCFM MAX.
- FINISH:
 - 1: FLANGE: GREY POLYCARBONATE TO MATCH FED-STD-595 COLOR NO. 36231. BALL, NOZZLE, DISC: CLEAR ANODIZE PER MIL-A-8625 TYPE II, CLASS 1. NICKEL ACETATE SEAL.
 - 2: FLANGE: GREY POLYCARBONATE TO MATCH FED-STD-595 COLOR NO. 36118. BALL, NOZZLE, DISC: GREY ANODIZE TO APPROXIMATE FED-STD-595 COLOR NO. 36118 PER MIL-A-8625 TYPE II, CLASS 2. NICKEL ACETATE SEAL.
- MAXIMUM WEIGHT: 0.34 LBS (155.0 GRAMS)
- ACCEPTANCE TEST PER ATP AVDT001.
- NOZZLE ROTATION FROM OPEN TO CLOSED: 90° +/- 5°.
- PERMANENTLY IDENTIFY WITH THE FOLLOWING:
 - BAC
 - PART NUMBER: AV576803-X
 - MFG DATE CODE (YYWW)
- TORQUE TO OPEN OR CLOSE: 1.5 IN-LBS MAX.
- TORQUE TO ROTATE BALL IN FLANGE: 3.25 IN-LBS. MAX.
- GREASE REQUIRED ON BEARING SURFACE BETWEEN BALL AND NOZZLE.



4X Ø.208-.214 THRU
90° APART ON 3.500 P.C.D.

-1, -2



4X Ø.208-.214 THRU
90° APART ON 3.500 P.C.D.

RECOMMENDED MOUNTING HOLE

QTY	RECD	REV	CAGE CODE	PART OR IDENTIFYING NO.	NOMENCLATURE OR DESCRIPTION	MATERIAL SPECIFICATION	ITEM NO.
1				576803-2	AIR VALVE	ALUMINUM ALLOY/POLYCARBONATE	2
1				576803-1	AIR VALVE	ALUMINUM ALLOY/POLYCARBONATE	1

PARTS LIST

UNLESS OTHERWISE SPECIFIED DIMENSIONS ARE IN INCHES TOLERANCES ARE: FRACTIONS DECIMALS ANGLES 1/32 .XX ±.03 ±1/2° .XXX ±.010		CONTRACT NO.		BIRK AEROSYSTEMS CORPORATION GARDEN GROVE, CALIFORNIA 92843	
DO NOT SCALE DRAWING		APPROVALS		TITLE	
MATERIAL		DRAWN BLB 02-05-03		AIR VALVE, DISC TYPE, 1.625 ID, SQUARE	
FINISH		CHECKED DKS 02-05-03		SIZE CAGE CODE	
SEE NOTE(S)		ENGR BLB 02-05-03		C 1XE65	
TREATMENT		ISSUED CLB 02-05-03		DWG NO. AV576803	
APPLICATION		FILE NO. AV576803/PV		SCALE 1/1	
				WT. SHEET 1 OF 1	