

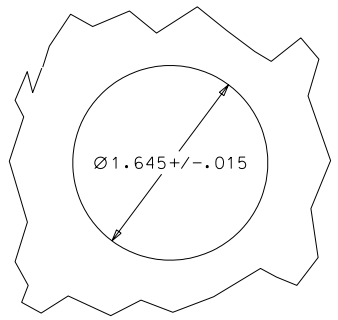
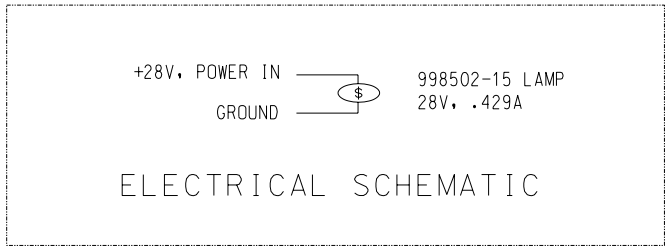
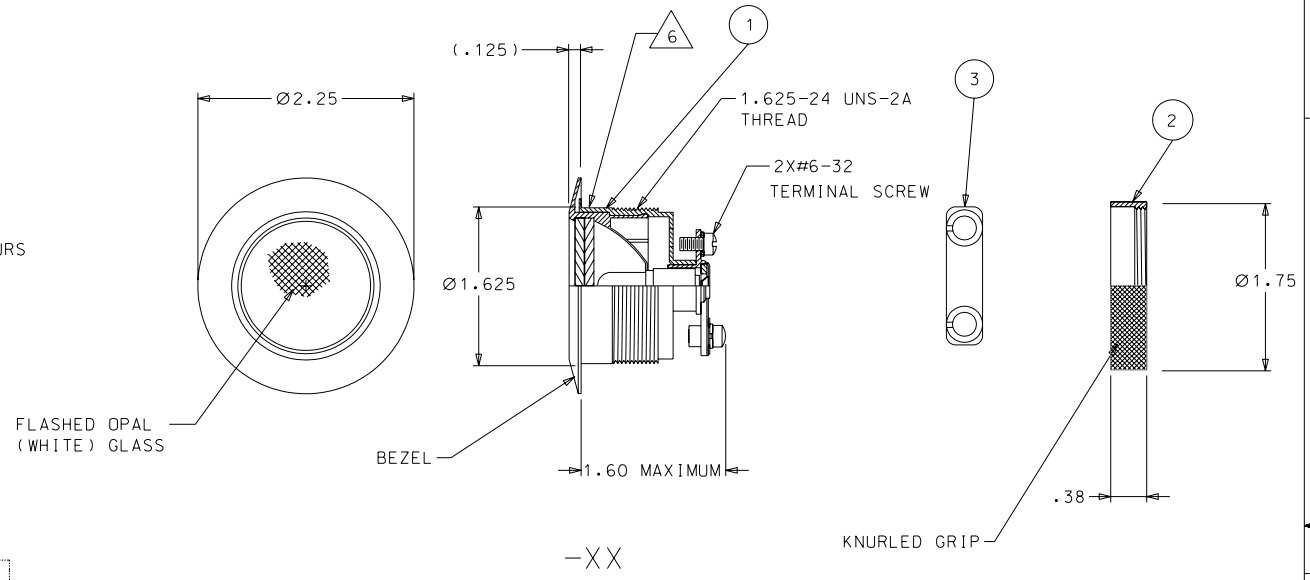
THE INFORMATION DISCLOSED HEREIN WAS ORIGINATED BY AND IS THE PROPERTY OF BIRK AEROSYSTEMS CORPORATION. BIRK AEROSYSTEMS CORPORATION RESERVES ALL PATENT, PROPRIETARY, DESIGN, USE, MANUFACTURING AND REPRODUCTION RIGHTS THERETO.

REV STATUS OF SHEET	REV B						
	SHEET 1						

REVISION				
ZONE	REV	DESCRIPTION	DATE	APPROVED
	-	SEE DCN 0839.	00-08-14	BLB
	A	SEE DCN 1016.	01-06-07	BLB
	B	SEE DCN 1225.	01-07-12	BLB

- NOTE(S):
- MAXIMUM WEIGHT: 68.0 GRAMS
  - BEZEL FINISH:  
DL2545: MATTE (SISAL) TEXTURE WITH CLEAR ANODIZE PER MIL-A-8625 TYPE II, CLASS 1. NICKEL ACETATE SEAL.  
DL2545-XX: PER CUSTOMER  
EXAMPLE: DL2545-QCP500 (DOME LIGHT WITH QUAKER CITY PLATING 24K POLISHED GOLD)
  - ACCEPTANCE TEST PER ATP2545.
  - LAMP REPLACEMENT:  
WELCH ALLYN 998502-15: 28V, .429A, 10.62 MSCP, 4000 HOURS
  - LAMP ACCESS: PULL ON EDGES OF BEZEL TO DISENGAGE FROM HOUSING ASSEMBLY.

△ PERMANENTLY MARK PART WITH THE FOLLOWING IDENTIFICATION INFORMATION:  
A) BAC  
B) PART NUMBER  
C) MFG DATE CODE: YYWW (YEAR WEEK)



QTY	RECD	CAGE CODE	PART OR IDENTIFYING NO.	NOMENCLATURE OR DESCRIPTION	MATERIAL SPECIFICATION	ITEM NO.
1			TG9000-1	TERMINAL GUARD	SILICONE RUBBER	3
1			MN8018-1	MOUNTING NUT	ALUMINUM ALLOY	2
1			2545-XX	DOME LIGHT	ALUMINUM ALLOY	1

NEXT ASSY		USED ON		APPLICATION		APPROVALS		DATE		TITLE	
						DRAWN	BLB	00-08-14		BIRK AEROSYSTEMS CORPORATION GARDEN GROVE, CALIFORNIA 92843	
						CHECKED	LLG	00-08-14		DOME LIGHT	
						ENGR	CLB	00-08-14		SIZE	CAGE CODE
						ISSUED	CLB	00-08-14		C	1XE65
						FILE NO.	DL2545/PV		SCALE	1/1	WT.
										SHEET	1 OF 1

DWG NO. DL2545 SH 1 REV B

A