

THE INFORMATION DISCLOSED HEREIN WAS ORIGINATED BY AND IS THE PROPERTY OF BIRK AEROSYSTEMS CORPORATION. BIRK AEROSYSTEMS CORPORATION RESERVES ALL PATENT, PROPRIETARY, DESIGN, USE, MANUFACTURING AND REPRODUCTION RIGHTS THERETO.

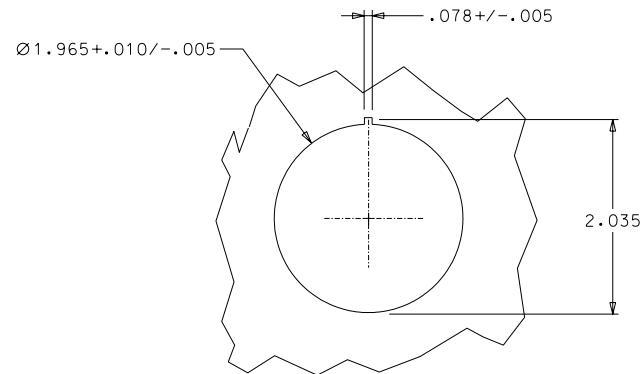
REV STATUS OF SHEET	REV	-	-				
	SHEET	1	2				

REVISION				
ZONE	REV	DESCRIPTION	DATE	APPROVED
	-	SEE DCN 1563.	02-09-03	BLB

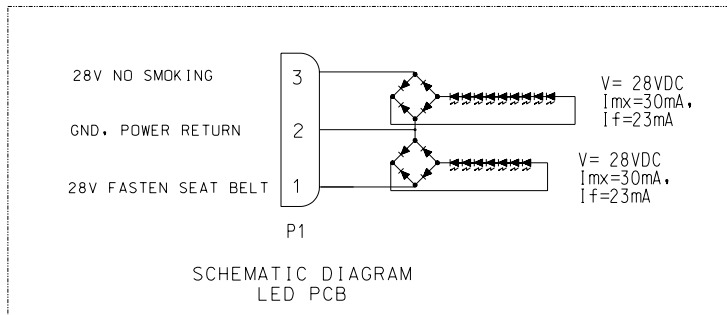
NOTE(S)

- SEE PARTS LIST FOR MATERIAL DESCRIPTION.
- THERE SHALL BE NO LIGHT LEAKS BETWEEN SYMBOL SECTIONS.
- FINISH:
COLOR OF SYMBOL BACKGROUND AREA:
BLACK TO APPROXIMATE FED-STD-595 COLOR NO. 37038

ALUMINUM HOUSING:
IS5087: MATTE (SISAL) TEXTURE WITH CLEAR ANODIZE.
IS5087-XX: PLATING PER CUSTOMER (EXAMPLE: IS5087-QCP500 IS INFORMATION SIGN WITH QUAKER CITY PLATING 24K POLISHED GOLD)
- ALL SYMBOLS ARE OBSCURE WHEN NOT ILLUMINATED.
- CIGARETTE AND SEAT BELT SYMBOLS ARE AMBER WHEN ILLUMINATED.
- ARROW AND CIRCLE/CROSS BAR SYMBOLS ARE TRANSLUCENT RED WHEN ILLUMINATED.
- IDENTIFY WHERE SHOWN WITH THE FOLLOWING:
A) BAC
B) PART NUMBER
C) DATE CODE: YYWW
- LEAD WIRES PER MIL-W-22759/34-22 (22 GAGE)
- ALL MATERIAL TO MEET FAR 25.853(d).
- NOMINAL WIGHT: 49.6 GRAMS
MAXIMUM WEIGHT: 52.1 GRAMS



RECOMMENDED MOUNTING HOLE
MAXIMUM PANEL THICKNESS: .10



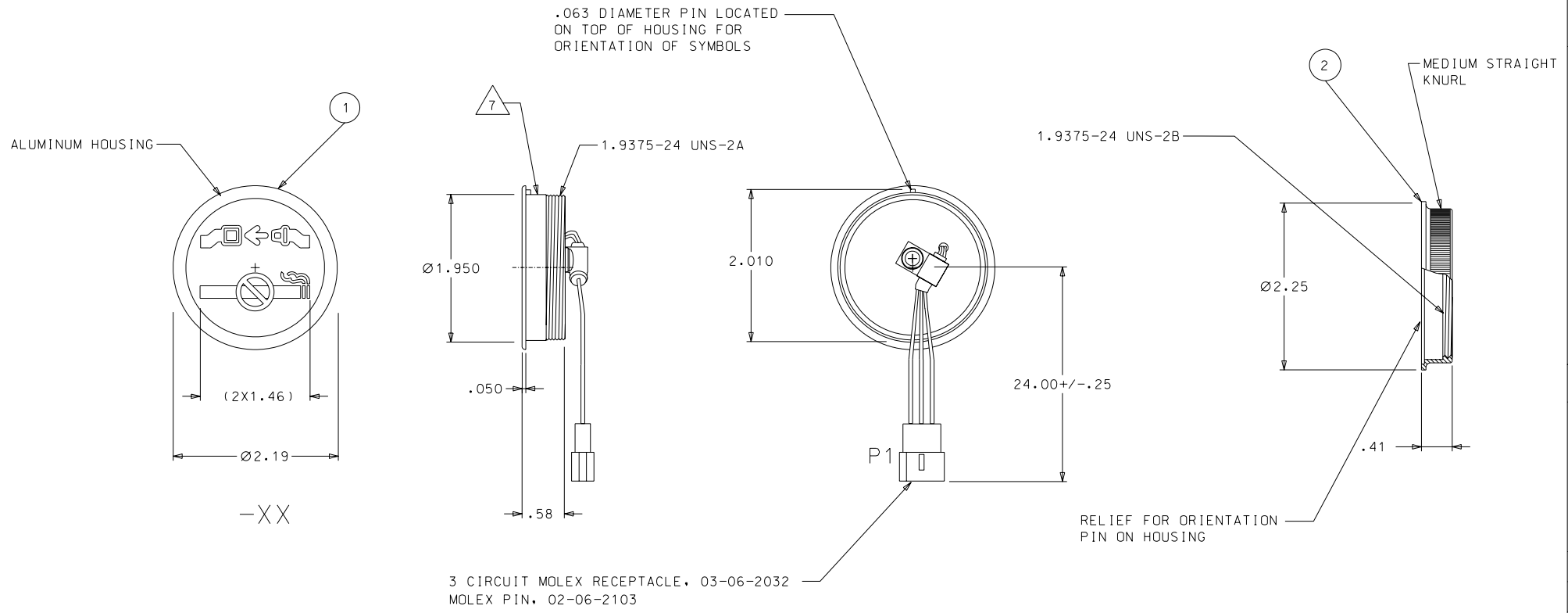
QTY	REV	CAGE CODE	PART OR IDENTIFYING NO.	NOMENCLATURE OR DESCRIPTION	MATERIAL SPECIFICATION	ITEM NO.
	1		MN8031-1	MOUNTING NUT	AL ALY	2
	1		5087-XX	INFORMATION SIGN	AL ALY/LEXAN (POLYCARBONATE)	1

PARTS LIST						
UNLESS OTHERWISE SPECIFIED DIMENSIONS ARE IN INCHES TOLERANCES ARE: FRACTIONS DECIMALS ANGLES ±1/32 .XX ±.03 ±1/2° DO NOT SCALE DRAWING MATERIAL SEE PL FINISH SEE NOTE(S) TREATMENT			CONTRACT NO.		BIRK AEROSYSTEMS CORPORATION GARDEN GROVE, CALIFORNIA 92843	
APPROVALS	DATE	TITLE INFORMATION SIGN, LED TYPE				
DRAWN BLB	02-09-03	SIZE CAGE CODE DWG NO.				
CHECKED DKS	02-09-03	C 1XE65 IS5087				
ENGR BLB	02-09-03	ISSUED	CLB	02-09-03	SCALE 1/1	WT. SHEET 1 OF 2
FILE NO.	ISS087/PV					

DWG NO. IS5087 SH 1 REV

THE INFORMATION DISCLOSED HEREIN WAS ORIGINATED BY AND IS THE PROPERTY OF BIRK AEROSYSTEMS CORPORATION. BIRK AEROSYSTEMS CORPORATION RESERVES ALL PATENT, PROPRIETARY, DESIGN, USE, MANUFACTURING AND REPRODUCTION RIGHTS THERETO.

REVISION				
ZONE	REV	DESCRIPTION	DATE	APPROVED
	-	SEE DCN 1563.	02-09-03	BLB



UNLESS OTHERWISE SPECIFIED DIMENSIONS ARE IN INCHES TOLERANCES ARE: FRACTIONS DECIMALS ANGLES $\pm 1/32$ $\pm .03$ $\pm 1/2^\circ$ $\pm .010$ $\pm .010$ $\pm 1/2^\circ$		CONTRACT NO.		BIRK AEROSYSTEMS CORPORATION GARDEN GROVE, CALIFORNIA 92843	
DO NOT SCALE DRAWING		APPROVALS	DATE	TITLE	
MATERIAL		DRAWN	BLB	02-09-03	INFORMATION SIGN, LED TYPE
FINISH		CHECKED	DKS	02-09-03	SIZE CAGE CODE
TREATMENT		ENGR	BLB	02-09-03	DWG NO.
NEXT ASSY	USED ON	ISSUED	CLB	02-09-03	C 1XE65
APPLICATION		FILE NO.	IS5087/PV	SCALE	1/1
		WT.		SHEET	2

DWG NO. IS5087
SHEET 2 REV.

BAC BIRK AEROSYSTEMS CORP. HUNTINGTON BEACH, CA.	DOCUMENT CHANGE NOTICE	<input type="checkbox"/> ADCN <input checked="" type="checkbox"/> DCN NO. 1563 Sheet 1 of 1
---	-------------------------------	---

Document Title: INFORMATION SIGN, LED TYPE	Document No.: IS5087	Rev. Letter: -	Release Date: 02-09-03
--	--------------------------------	-------------------	----------------------------------

REASON						DATE	
SUPPLIER REQUEST		QUALITY/RELIABILITY		PROJECT#: 02072401	Prepared By:	B. BIRK	02-09-03
CUSTOMER REQUEST AS NOTED BELOW	X	DOCUMENT ERROR		DCR #: NA	Checked By:	B. BIRK	02-09-03
		NEW RELEASE	X	LOG #: 1563	IMPACT ANALYSIS REPORT		
PRODUCIBILITY		DESIGN CHANGE		STATUS R P	AREAS AFFECTED	YES	NO
COST REDUCTION		SAFETY		CLASS 1 2	MANUFACTURING	<input type="checkbox"/>	<input checked="" type="checkbox"/>
					SERVICE	<input type="checkbox"/>	<input checked="" type="checkbox"/>

Description of Change:

1) ORIGINAL RELEASE

MFG INTERVENTION POINT SER NO. _____ DATE: 02-09-03 Y CODE E N S O NEW PARTS <input checked="" type="checkbox"/> <input type="checkbox"/> USR VENDOR NOT. <input type="checkbox"/> <input type="checkbox"/> USR INVENTORY <input type="checkbox"/> <input type="checkbox"/> USR WIP <input type="checkbox"/> <input type="checkbox"/> USR FIN PROD <input type="checkbox"/> <input type="checkbox"/> USR OTHER <input type="checkbox"/> <input type="checkbox"/> USR	NOTES: <table border="1" style="width:100%; border-collapse: collapse;"> <tr> <th colspan="3" style="text-align: center;">ADCN/DCN COMMITTEE APPROVALS</th> <th colspan="2" style="text-align: center;">EFFECTIVITY REQUIREMENTS FIELD RETROFIT CONTROL</th> </tr> <tr> <td style="width:30%;">ORGANIZATION</td> <td style="width:30%;">SIGNATURE</td> <td style="width:20%;">DATE</td> <td style="width:15%;">TAG NO. REQD</td> <td style="width:20%; text-align: center;"><input type="checkbox"/> YES <input checked="" type="checkbox"/> NO</td> </tr> <tr> <td>Q. A.</td> <td><i>[Signature]</i></td> <td>02-09-03</td> <td>TAG NO. _____</td> <td></td> </tr> <tr> <td>ENGINEERING</td> <td><i>[Signature]</i></td> <td>02-09-03</td> <td><input type="checkbox"/> MANDATORY</td> <td></td> </tr> <tr> <td>PURCHASING</td> <td><i>[Signature]</i></td> <td>9-3-02</td> <td><input type="checkbox"/> OPTIONAL</td> <td></td> </tr> <tr> <td>MANUFACTURING</td> <td><i>[Signature]</i></td> <td>9-3-02</td> <td><input type="checkbox"/> REPLACE ITEM</td> <td></td> </tr> <tr> <td>CUST. SERVICE</td> <td><i>[Signature]</i></td> <td>9/3/02</td> <td><input type="checkbox"/> OTHER</td> <td></td> </tr> </table>	ADCN/DCN COMMITTEE APPROVALS			EFFECTIVITY REQUIREMENTS FIELD RETROFIT CONTROL		ORGANIZATION	SIGNATURE	DATE	TAG NO. REQD	<input type="checkbox"/> YES <input checked="" type="checkbox"/> NO	Q. A.	<i>[Signature]</i>	02-09-03	TAG NO. _____		ENGINEERING	<i>[Signature]</i>	02-09-03	<input type="checkbox"/> MANDATORY		PURCHASING	<i>[Signature]</i>	9-3-02	<input type="checkbox"/> OPTIONAL		MANUFACTURING	<i>[Signature]</i>	9-3-02	<input type="checkbox"/> REPLACE ITEM		CUST. SERVICE	<i>[Signature]</i>	9/3/02	<input type="checkbox"/> OTHER	
ADCN/DCN COMMITTEE APPROVALS			EFFECTIVITY REQUIREMENTS FIELD RETROFIT CONTROL																																	
ORGANIZATION	SIGNATURE	DATE	TAG NO. REQD	<input type="checkbox"/> YES <input checked="" type="checkbox"/> NO																																
Q. A.	<i>[Signature]</i>	02-09-03	TAG NO. _____																																	
ENGINEERING	<i>[Signature]</i>	02-09-03	<input type="checkbox"/> MANDATORY																																	
PURCHASING	<i>[Signature]</i>	9-3-02	<input type="checkbox"/> OPTIONAL																																	
MANUFACTURING	<i>[Signature]</i>	9-3-02	<input type="checkbox"/> REPLACE ITEM																																	
CUST. SERVICE	<i>[Signature]</i>	9/3/02	<input type="checkbox"/> OTHER																																	