

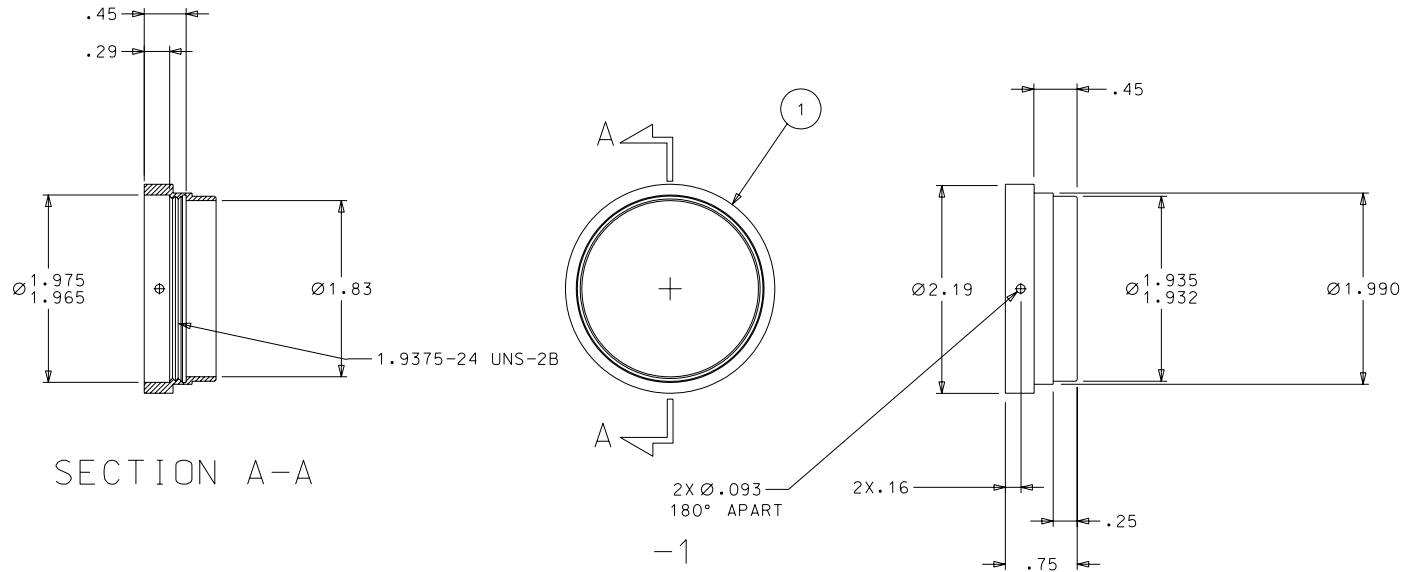
THE INFORMATION DISCLOSED HEREIN WAS ORIGINATED BY AND IS THE PROPERTY OF BIRK AEROSYSTEMS CORPORATION. BIRK AEROSYSTEMS CORPORATION RESERVES ALL PATENT, PROPRIETARY, DESIGN, USE, MANUFACTURING AND REPRODUCTION RIGHTS THERETO.

REV STATUS OF SHEET	REV	C	C	B		
	SHEET	1	2	3		

REVISION				
ZONE	REV	DESCRIPTION	DATE	APPROVED
	-	SEE DCN 0677.	00-06-20	BLB
	A	SEE DCN 0975.	01-04-03	BLB
	B	SEE DCN 1716.	02-05-29	BLB
	C	SEE DCN 1879.	03-05-01	BLB

NOTE(S):

1. FINISH: CLEAR ANODIZE PER MIL-A-8625 TYPE II, CLASS 1. NICKEL ACETATE SEAL. OPTIONAL FINISH - CLEAR CHEMICAL FILM PER MIL-C-5541.
2. MN8008-3 AND MN8008-4 ARE IDENTICAL AND MAY BE SUBSTITUTED FOR EACH OTHER.



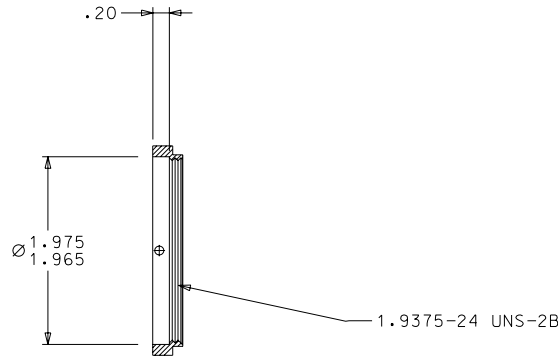
1						8008-8	MOUNTING NUT	AL ALY 6061-T6511	5	
	1	1				8008-3	MOUNTING NUT	AL ALY 6061-T6511	4	
			1			8008-7	MOUNTING NUT	AL ALY 6061-T6511	3	
				1		8008-2	MOUNTING NUT	AL ALY 6061-T6511	2	
					1	8008-1	MOUNTING NUT	AL ALY 6061-T6511	1	
-8	-4	-3	-7	-2	-1	CAGE CODE	PART OR IDENTIFYING NO.	NOMENCLATURE OR DESCRIPTION	MATERIAL SPECIFICATION	ITEM NO.

PARTS LIST				CONTRACT NO.		BIRK AEROSYSTEMS CORPORATION GARDEN GROVE, CALIFORNIA 92843	
UNLESS OTHERWISE SPECIFIED DIMENSIONS ARE IN INCHES TOLERANCES ARE: FRACTIONS DECIMALS ANGLES ±1/32 .XX ±.03 ±1/2° XXX ±.010				APPROVALS		TITLE	
DO NOT SCALE DRAWING				DRAWN BLB 00-06-20		MOUNTING NUT	
MATERIAL SEE PL				CHECKED BLB 00-06-20		SIZE CAGE CODE	
FINISH SEE NOTE(S)				ENGR BLB 00-06-20		C 1XE65	
TREATMENT				ISSUED BLB 00-06-20		DWG NO. MN8008	
APPLICATION				FILE NO. MN8008/PV		REV. C	
				SCALE 1/1		WT. SHEET 1 OF 3	

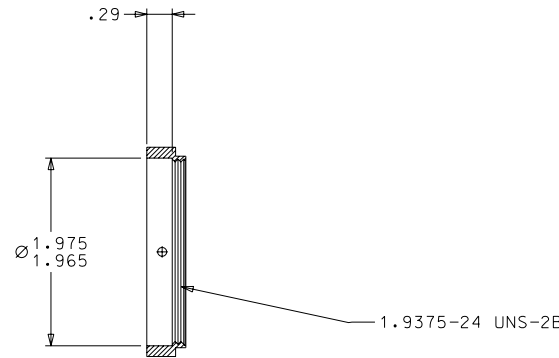
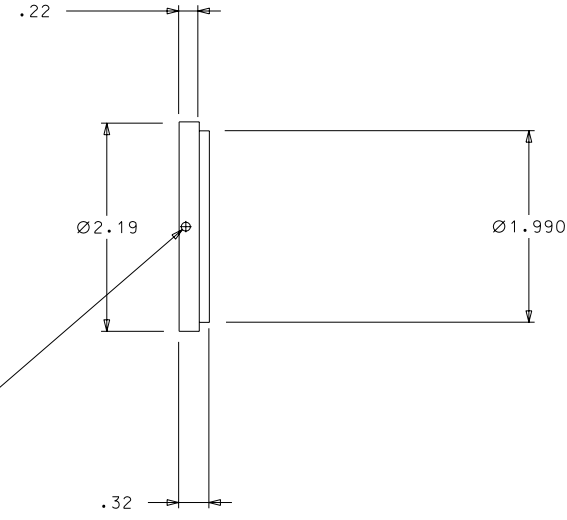
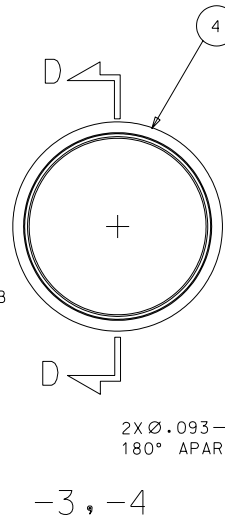
DWG NO. MN8008 SH 1 REV C

THE INFORMATION DISCLOSED HEREIN WAS ORIGINATED BY AND IS THE PROPERTY OF BIRK AEROSYSTEMS CORPORATION. BIRK AEROSYSTEMS CORPORATION RESERVES ALL PATENT, PROPRIETARY, DESIGN, USE, MANUFACTURING AND REPRODUCTION RIGHTS THERETO.

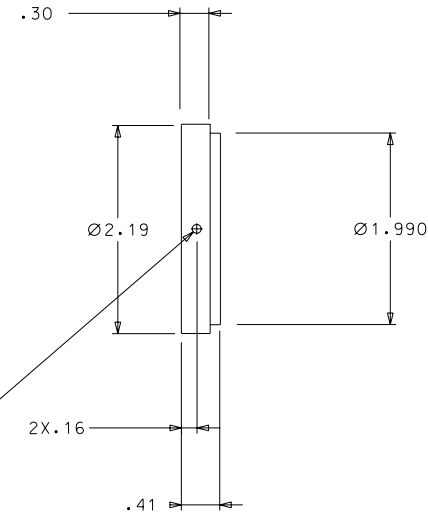
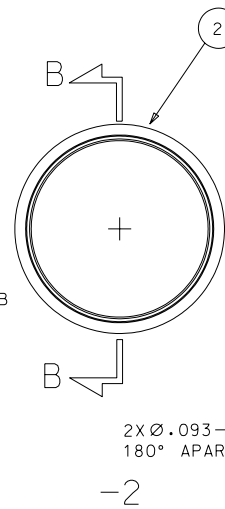
REVISION				
ZONE	REV	DESCRIPTION	DATE	APPROVED
	-	SEE DCN 0677.	00-06-20	BLB
	B	SEE DCN 1716.	02-05-29	BLB
	C	SEE DCN 1879.	03-05-01	BLB



SECTION D-D



SECTION B-B

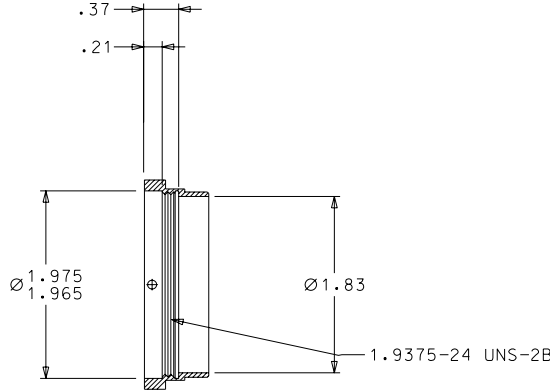


UNLESS OTHERWISE SPECIFIED DIMENSIONS ARE IN INCHES TOLERANCES ARE: FRACTIONS DECIMALS ANGLES ±1/32 .XX ±.03 ±1/2° XXX ±.010		CONTRACT NO.		BIRK AEROSYSTEMS CORPORATION GARDEN GROVE, CALIFORNIA 92843	
DO NOT SCALE DRAWING		APPROVALS	DATE	TITLE	
MATERIAL		DRAWN	BLB	00-06-20	MOUNTING NUT
SEE PL		CHECKED	BLB	00-06-20	
FINISH		ENGR	BLB	00-06-20	
SEE NOTE(S)		ISSUED	BLB	00-06-20	
NEXT ASSY	USED ON	TREATMENT	FILE NO.	MN8008/PV2	SIZE CAGE CODE
APPLICATION		DWG NO.		MN8008	REV. C
		SCALE	1/1	WT.	SHEET 2

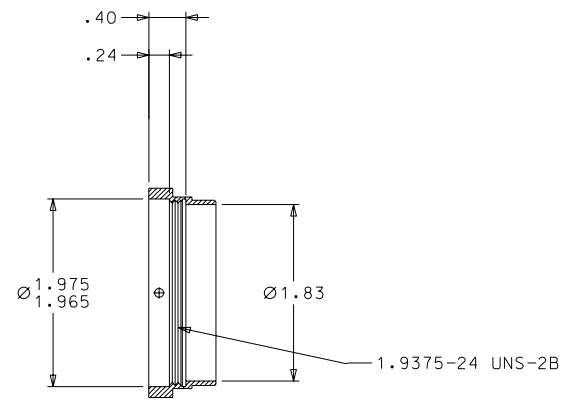
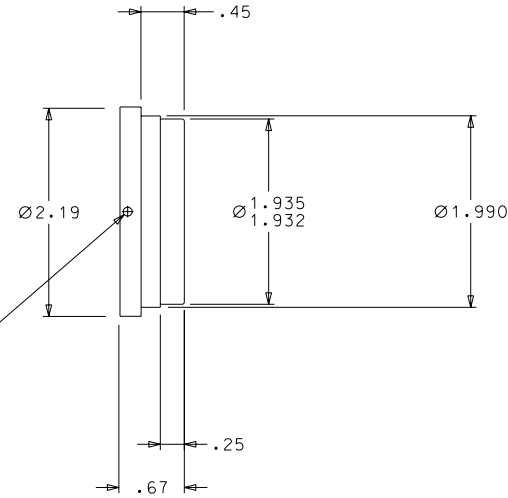
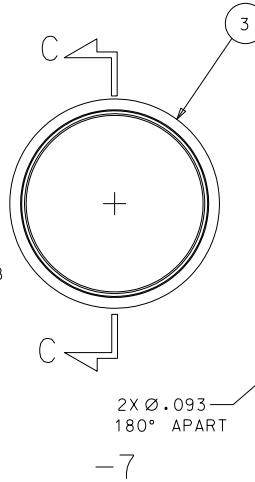
DWG NO. MN8008 1ST 2 REV C

THE INFORMATION DISCLOSED HEREIN WAS ORIGINATED BY AND IS THE PROPERTY OF BIRK AEROSYSTEMS CORPORATION. BIRK AEROSYSTEMS CORPORATION RESERVES ALL PATENT, PROPRIETARY, DESIGN, USE, MANUFACTURING AND REPRODUCTION RIGHTS THERE TO.

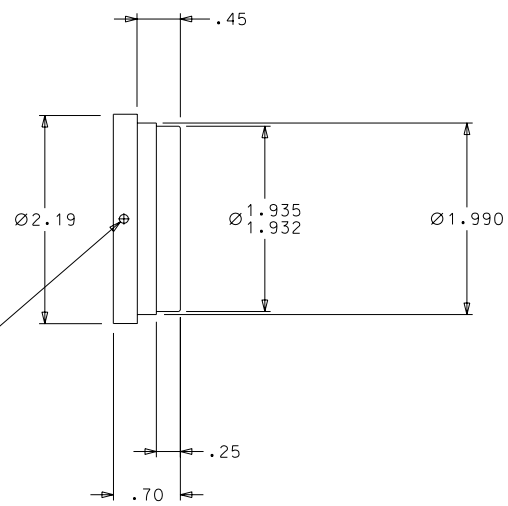
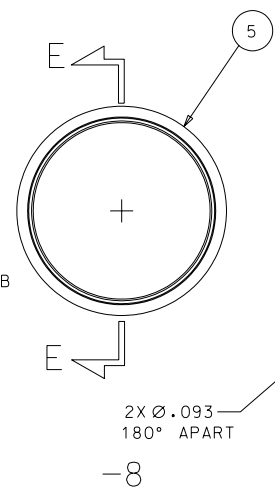
REVISION				
ZONE	REV	DESCRIPTION	DATE	APPROVED
	A	SEE DCN 0975.	01-04-03	BLB
	B	SEE DCN 1716.	02-05-29	BLB



SECTION C-C



SECTION E-E



UNLESS OTHERWISE SPECIFIED DIMENSIONS ARE IN INCHES TOLERANCES ARE:		CONTRACT NO.		BIRK AEROSYSTEMS CORPORATION GARDEN GROVE, CALIFORNIA 92843	
FRACTIONS	DECIMALS	ANGLES	APPROVALS	DATE	TITLE
±1/32	.XX	±1/2°	DRAWN	01-04-03	MOUNTING NUT
	.XXX	±0.10	CHECKED	01-04-03	
DO NOT SCALE DRAWING			ENGR	01-04-03	SIZE CAGE CODE
MATERIAL SEE PL			ISSUED	01-04-03	C 1XE65
FINISH SEE NOTE(S)			FILE NO.	MN8008/PV3	DWG NO. MN8008
TREATMENT			SCALE	1/1	REV. B
NEXT ASSY	USED ON	APPLICATION	WT.	SHEET	3

DWG NO. MN8008 SH 3 REV B

BACBIRK AEROSYSTEMS CORP.
HUNTINGTON BEACH, CA.**DOCUMENT CHANGE
NOTICE** ADCN DCN
NO. 1879

Sheet 1 of 1

Document Title:

MOUNTING NUT

Document No.:

MN8008

Rev. Letter:

C

Release Date:

03-05-01

REASON

			PROJECT#:00060901	Prepared By:	B. BIRK	DATE
SUPPLIER REQUEST		QUALITY/RELIABILITY	DCR #: NA	Checked By:	B. BIRK	03-05-01
CUSTOMER REQUEST AS NOTED BELOW	X	DOCUMENT ERROR	LOG #: 1879	IMPACT ANALYSIS REPORT AREAS AFFECTED YES NO MANUFACTURING <input type="checkbox"/> <input checked="" type="checkbox"/> SERVICE <input type="checkbox"/> <input checked="" type="checkbox"/>		
PRODUCIBILITY		DESIGN CHANGE	STATUS <input checked="" type="radio"/> R <input type="radio"/> P			
COST REDUCTION		SAFETY	CLASS 1 <input type="radio"/> 2 <input checked="" type="radio"/>			

Description of Change:

1) SHEET 1, 2: ADDED -4 FOR END ITEM RL6830

**MFG INTERVENTION
POINT****NOTES:**

SER NO. _____ DATE: 03-05-01

Y	CODE
E	N
S	O

NEW PARTS	<input checked="" type="checkbox"/>	<input type="checkbox"/>	USR
VENDOR NOT	<input type="checkbox"/>	<input type="checkbox"/>	USR
INVENTORY	<input type="checkbox"/>	<input type="checkbox"/>	USR
WIP	<input type="checkbox"/>	<input type="checkbox"/>	USR
FIN PROD	<input type="checkbox"/>	<input type="checkbox"/>	USR
OTHER	<input type="checkbox"/>	<input type="checkbox"/>	USR

ADCN/DCN COMMITTEE APPROVALS

ORGANIZATION	SIGNATURE	DATE
Q. A.	<i>[Signature]</i>	03-05-01
ENGINEERING	<i>[Signature]</i>	03-05-01
PURCHASING	<i>[Signature]</i>	5-1-03
MANUFACTURING	<i>[Signature]</i>	10-5-03
CUST. SERVICE	<i>[Signature]</i>	

**EFFECTIVITY REQUIREMENTS
FIELD RETROFIT CONTROL**

TAG NO. REQD	<input type="checkbox"/> YES	<input checked="" type="checkbox"/> NO
TAG NO. _____		
<input type="checkbox"/> MANDATORY		
<input type="checkbox"/> OPTIONAL		
<input type="checkbox"/> REPLACE ITEM		
<input type="checkbox"/> OTHER		