



Product Description

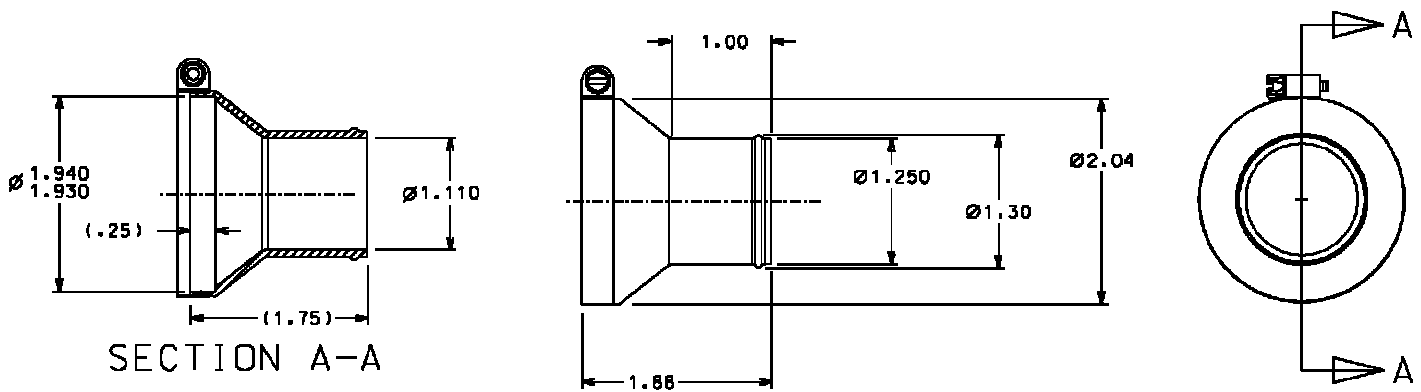
Designed to fit air valves with 1.932-1.935 inch OD housing

Light weight plastic polycarbonate construction

Available with or without clamp

Simple slip on installation

Hose port to accommodate 1.25 inch ID hose



Part Number	Configuration
PC7072-1	Includes gear clamp
PC7110-1	Includes wire clamp
PC7069-1	No clamp

The plenum cap, made from molded polycarbonate, is designed to install on air valves that have a 1.932-1.935 inch outside diameter surface on the back housing. The beaded hose port, with its 1.25 inch outside diameter, is oriented for straight entry to the air valve and interfaces to standard 1.25 inch ID air supply hoses. The plenum cap is supplied as part number PC7069-1 for applications not requiring a clamp. PC7072-1 is supplied with a gear clamp and PC7110-1 with a wire clamp.

14321 Commerce Drive
Garden Grove CA, 92843

Phone: 714-554-9782
Fax: 714-554-3659
www.birkaero.net