

4

3

2

1

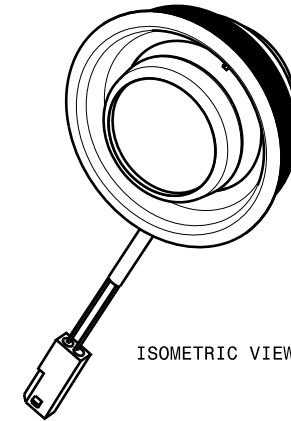
THE INFORMATION DISCLOSED HEREIN WAS ORIGINATED BY AND IS THE PROPERTY OF BIRK AEROSYSTEMS CORPORATION. BIRK AEROSYSTEMS CORPORATION RESERVES ALL PATENT, PROPRIETARY DESIGN, USE, MANUFACTURING AND REPRODUCTION RIGHTS.

REV STATUS OF SHEETS	REV SHEET	B	B			
		1	2			

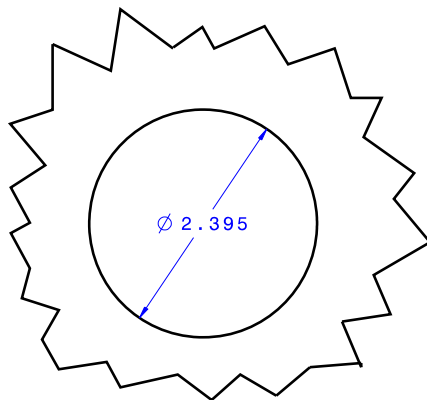
ZONE	REV	DESCRIPTION	DATE	APPROVED
	-	SEE DCN 4632.	11-02-03	BLB
	A	SEE DCN 5770.	12-06-20	BLB
	B	SEE DCN 5947.	12-08-23	BLB

NOTE(S):

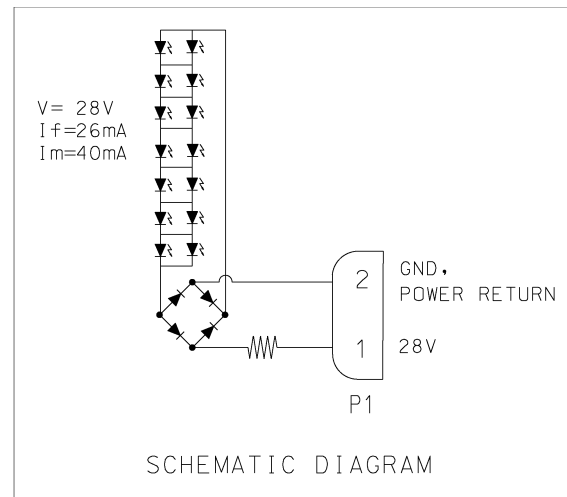
- MAXIMUM WEIGHT: 111.9 GRAMS
- FINISH/COLOR:
  - 1: COSMETIC SURFACES: BRIGHT BUFF THEN REID METAL FINISHING INC, OPERATING PROCEDURE OP4.9008 SULFURIC ANODIZE PER MIL-A-8625 TYPE II, CLASS 2 WITH CLARIANT DYE ALUMINUM OLIVE BROWN 2R (RELIANT). NICKEL ACETATE SEAL.
  - MOUNTING NUT: CLEAR ANODIZE PER MIL-A-8625 TYPE II, CLASS 1. NICKEL ACETATE SEAL.
  - 2,-3: COSMETIC SURFACES: FINE SATIN TEXTURE WITH CLER ANODIZE PER MIL-A-8625 TYPE II, CLASS 1. NICKEL ACETATE SEAL.
  - MOUNTING NUT: CLEAR ANODIZE PER MIL-A-8625 TYPE II, CLASS 1. NICKEL ACETATE SEAL.
- ACCEPTANCE TEST PER ATP6943
- LED LAMP MODULE REPLACEMENT: BAC PAR NUMBER LM3656
- LAMP ACCESS: PULL LENS BEZEL AWAY FROM BALL.
- PERMANENTLY MARK PART WITH THE FOLLOWING IDENTIFICATION INFORMATION:
  - A) BAC
  - B) PART NUMBER
  - C) MFG DATE CODE: YYWW (YEAR WEEK)
- LED COLOR: -1,-2: WARM WHITE  
-3: COOL WHITE



ISOMETRIC VIEW



RECOMMENDED MOUNTING HOLE  
MAXIMUM PANEL THICKNESS: 0.40



SCHMATIC DIAGRAM

1	1	1XE65	6943-3	READING LIGHT, LED TYPE	ALUMINUM ALLOY/PLASTIC	4
		1XE65	6943-2	READING LIGHT, LED TYPE	ALUMINUM ALLOY/PLASTIC	3
		1XE65	MN8017-1	MOUNTING NUT	ALUMINUM ALLOY	2
		1XE65	6943-1	READING LIGHT, LED TYPE	ALUMINUM ALLOY/PLASTIC	1

PARTS LIST

UNLESS OTHERWISE SPECIFIED DIMENSIONS ARE IN INCHES		CONTRACT NO.		BIRK AEROSYSTEMS CORPORATION GARDEN GROVE, CALIFORNIA 92843	
TOLERANCES ARE:		APPROVALS	DATE	TITLE	
FRACTIONS ±1/32	DECIMALS .XXX±.03	DRAWN	JMB	11-02-03	READING LIGHT, LED TYPE
ANGLES ±1/2°	.XXX±.010	CHECKED	ALB	11-02-03	
DO NOT SCALE DRAWING		ENGR	BLB	11-02-03	
MATERIAL	SEE PL	ISSUED	CLB	11-02-03	
FINISH	SEE NOTE(S)	FILE NO.	RL6943/PV	SCALE	1/1
TREATMENT				WT.	
				DWG. NO.	RL6943
				REV.	B
				SHEET	1 OF 2

4

3

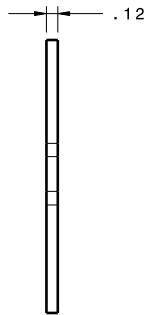
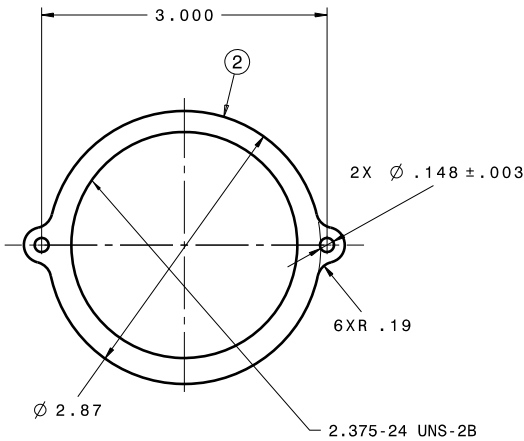
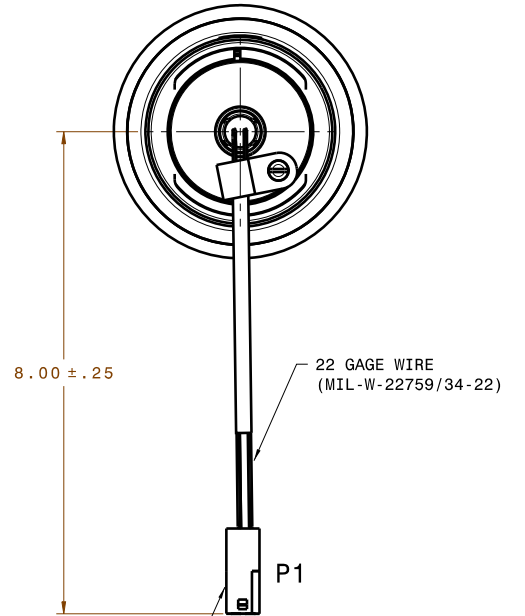
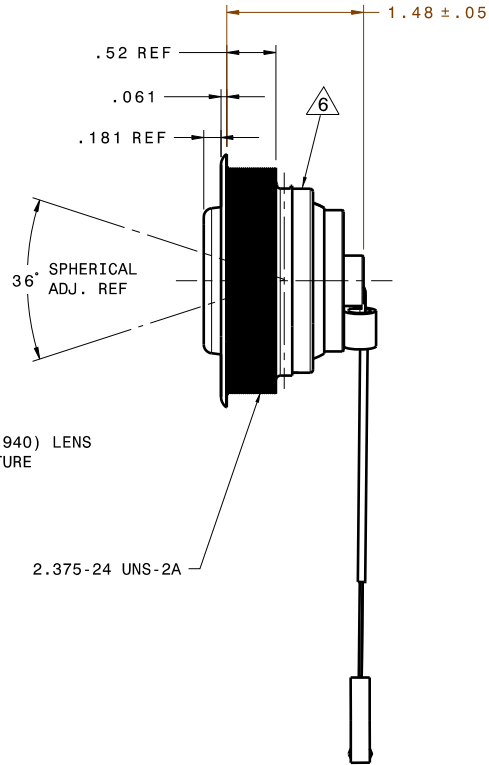
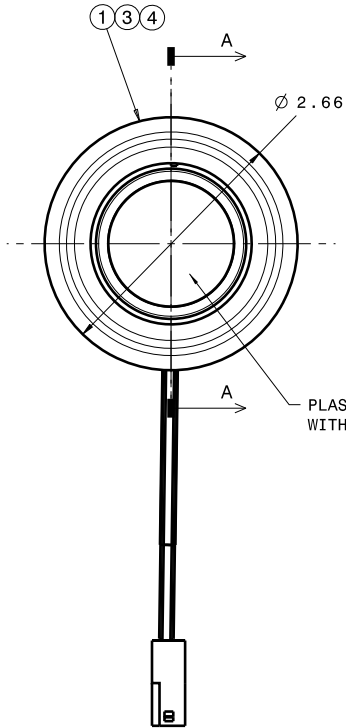
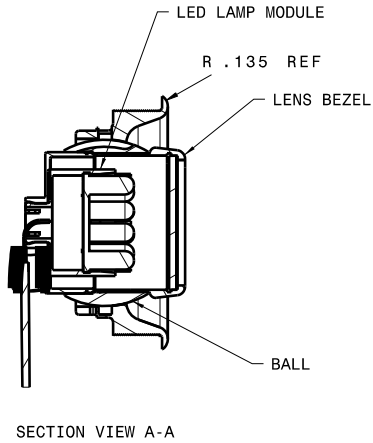
2

1

DWG. NO. RL6943  
SHEET 1 OF 2

THE INFORMATION DISCLOSED HEREIN WAS ORIGINATED BY AND IS THE PROPERTY OF BIRK AEROSYSTEMS CORPORATION. BIRK AEROSYSTEMS CORPORATION RESERVES ALL PATENT, PROPRIETARY DESIGN, USE, MANUFACTURING AND REPRODUCTION RIGHTS.

ZONE	REV	DESCRIPTION	DATE	APPROVED
-		SEE DCN 4632.	11-02-03	BLB
A		SEE DCN 5770.	12-06-20	BLB
B		SEE DCN 5947.	12-08-23	BLB



-1, -2, -3

2 CIRCUIT MOLEX PLUG, 03-09-2022  
MOLEX PIN, 02-09-2118

UNLESS OTHERWISE SPECIFIED DIMENSIONS ARE IN INCHES		CONTRACT NO.		BIRK AEROSYSTEMS CORPORATION GARDEN GROVE, CALIFORNIA 92843	
TOLERANCES ARE:		APPROVALS	DATE	TITLE	
FRACTIONS	DECIMALS	JMB	11-02-03	READING LIGHT, LED TYPE	
±1/32	.XX±.03	CHECKED	ALB	11-02-03	SIZE CAGE CODE DWG. NO.
DO NOT SCALE DRAWING	.XXX±.010	ENGR	BLB	11-02-03	C 1XE65 RL6943
MATERIAL	SEE PL	ISSUED	CLB	11-02-03	SCALE 1/1 WT. SHEET 2
FINISH	SEE NOTE(S)	TREATMENT		FILE NO. RL6943/PV2	

DWG. NO. RL6943  
SHEET 2 REV B