

THE INFORMATION DISCLOSED HEREIN WAS ORIGINATED BY AND IS THE PROPERTY OF BIRK AEROSYSTEMS CORPORATION. BIRK AEROSYSTEMS CORPORATION RESERVES ALL PATENT, PROPRIETARY, DESIGN, USE, MANUFACTURING AND REPRODUCTION RIGHTS THERETO.

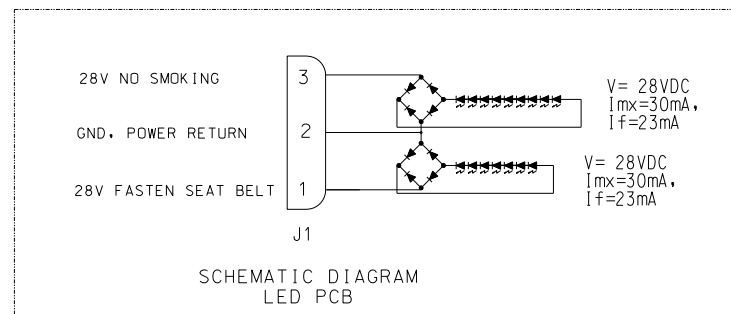
REV STATUS OF SHEET	REV	-	-				
	SHEET	1	2				

REVISION				
ZONE	REV	DESCRIPTION	DATE	APPROVED
	-	SEE DCN 1707.	03-01-02	BLB

NOTE(S)

- SEE PARTS LIST FOR MATERIAL DESCRIPTION.
- THERE SHALL BE NO LIGHT LEAKS BETWEEN SYMBOL SECTIONS.
- FINISH:
COLOR OF SYMBOL BACKGROUND AREA:
BLACK TO APPROXIMATE FED-STD-595 COLOR NO. 37038

ALUMINUM HOUSING:
5087: MATTE (SISAL) TEXTURE WITH CLEAR ANODIZE.
5087-XX: PLATING PER CUSTOMER (EXAMPLE: 5087-OCP500
IS INFORMATION SIGN WITH QUAKER CITY PLATING 24K POLISHED GOLD)
- ALL SYMBOLS ARE OBSCURE WHEN NOT ILLUMINATED.
- CIGARETTE AND SEAT BELT SYMBOLS ARE AMBER WHEN ILLUMINATED.
- ARROW AND CIRCLE/CROSS BAR SYMBOLS ARE TRANSLUCENT RED WHEN ILLUMINATED.
- DRILL OUT LOOP (P-CLIP) HOLE TO DIAMETER .188-.193 FOR SHOULDER WASHER.



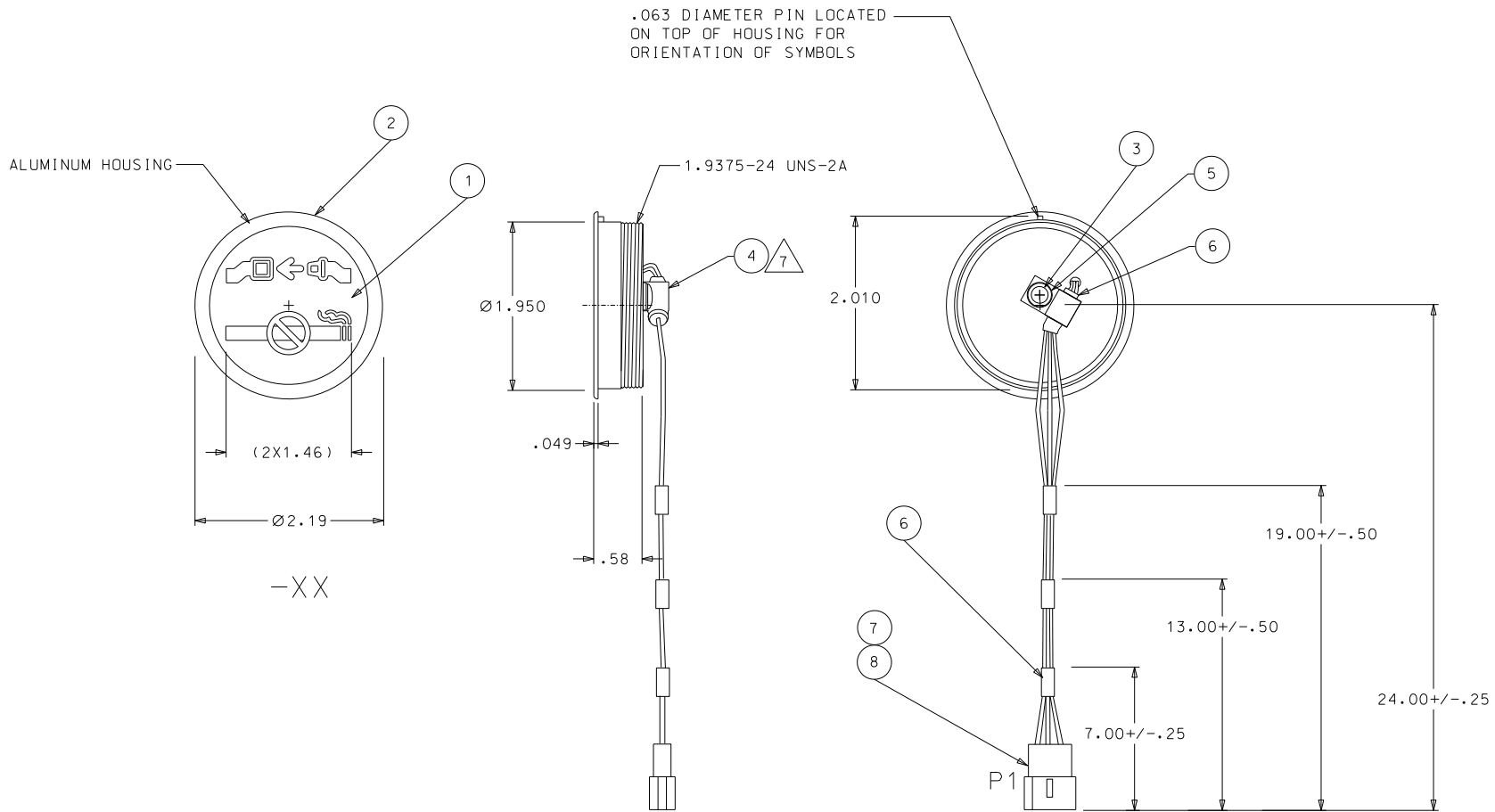
QTY	REV	CAGE CODE	PART OR IDENTIFYING NO.	NOMENCLATURE OR DESCRIPTION	MATERIAL SPECIFICATION	ITEM NO.
1		27264	03-06-2032	RECEPTACLE, 3 POS	NYLON	8
3		27264	02-06-2103	PIN	NYLON	7
4		2912-1		TUBE, HEAT SHRINK	POLYOLEFIN	6
1		3A054	90062A005	WASHER, SHOULDER	NYLON	5
1		3A054	8876T14	LOOP, P-CLIP	NYLON	4
1			NAS720-4-8	SCREW, #4-40	STEEL	3
1			3974-1-XX	FLANGE ASSEMBLY	AL ALY	2
1			3975-2	HOUSING ASSEMBLY	AL ALY/LEXAN (POLYCARBONATE)	1

UNLESS OTHERWISE SPECIFIED DIMENSIONS ARE IN INCHES TOLERANCES ARE: FRACTIONS DECIMALS ANGLES ±1/32 .XX ±.03 ±1/2° DO NOT SCALE DRAWING		CONTRACT NO.		BIRK AEROSYSTEMS CORPORATION GARDEN GROVE, CALIFORNIA 92843	
MATERIAL SEE PL		APPROVALS		TITLE INFORMATION SIGN, LED TYPE	
FINISH SEE NOTE(S)		DRAWN BLB 03-01-02		SIZE CAGE CODE	
TREATMENT		CHECKED DKS 03-01-02		DWG NO. 5087	
NEXT ASSY	USED ON	ENGR BLB 03-01-02		REV. -	
APPLICATION		ISSUED CLB 03-01-02		SCALE 1/1	
		FILE NO. 5087/PV		WT. SHEET 1 OF 2	

DWG NO. 5087
SH 1
REV. -

THE INFORMATION DISCLOSED HEREIN WAS ORIGINATED BY AND IS THE PROPERTY OF BIRK AEROSYSTEMS CORPORATION. BIRK AEROSYSTEMS CORPORATION RESERVES ALL PATENT, PROPRIETARY, DESIGN, USE, MANUFACTURING AND REPRODUCTION RIGHTS THERETO.

REVISION				
ZONE	REV	DESCRIPTION	DATE	APPROVED
	-	SEE DCN 1707.	03-01-02	BLB



		UNLESS OTHERWISE SPECIFIED DIMENSIONS ARE IN INCHES		CONTRACT NO.		BIRK AEROSYSTEMS CORPORATION	
		TOLERANCES ARE:		APPROVALS		GARDEN GROVE, CALIFORNIA 92843	
		FRACTIONS DECIMALS ANGLES		DRAWN BLB 03-01-02		TITLE INFORMATION SIGN, LED TYPE	
		11/32 .XX 5.03 21/2"		CHECKED DKS 03-01-02		SIZE CAGE CODE DWG NO.	
		DO NOT SCALE DRAWING		ENGR BLB 03-01-02		C 1XE65 5087	
		MATERIAL SEE PL		ISSUED CLB 03-01-02		REV. -	
		FINISH SEE NOTE(S)		FILE NO. 5087/PV2		SCALE 1/1 WT. SHEET 2	
NEXT ASSY USED ON APPLICATION		TREATMENT					

DWG NO. 5087 SH 2 REV -