

4

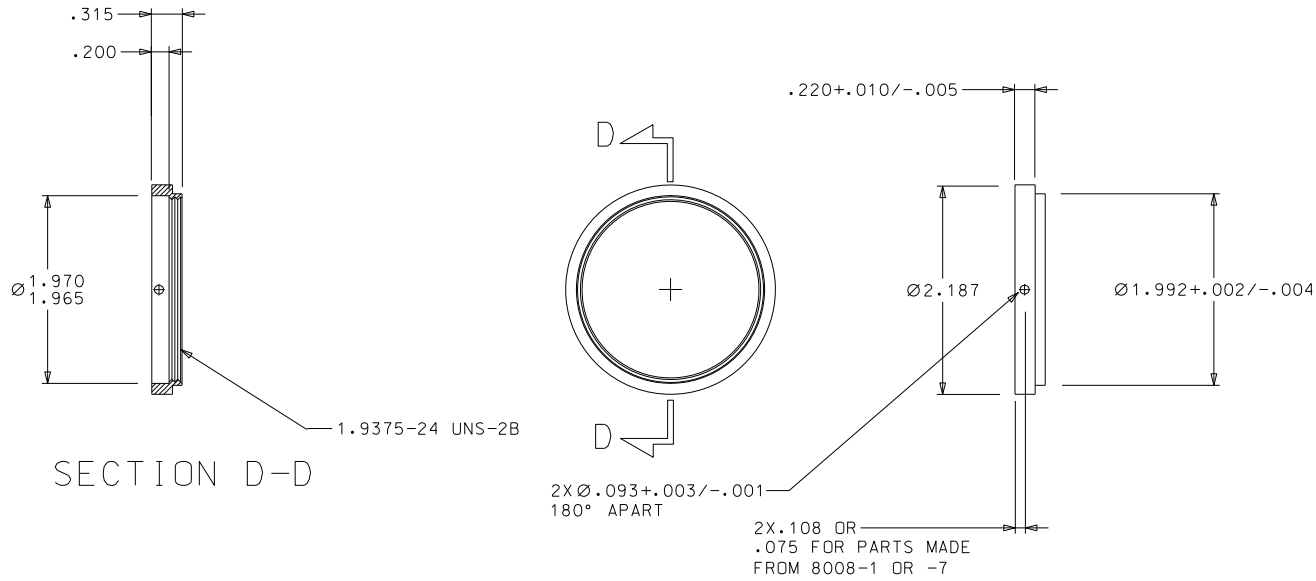
3

2

1

THE INFORMATION DISCLOSED HEREIN WAS ORIGINATED BY AND IS THE PROPERTY OF BIRK AEROSYSTEMS CORPORATION. BIRK AEROSYSTEMS CORPORATION RESERVES ALL PATENT, PROPRIETARY, DESIGN, USE, MANUFACTURING AND REPRODUCTION RIGHTS THERE TO.

REVISION				
ZONE	REV	DESCRIPTION	DATE	APPROVED
	-	SEE DCN 0657.	00-06-20	BLB
	A	SEE DCN 0667.	00-06-29	BLB



-3

UNLESS OTHERWISE SPECIFIED DIMENSIONS ARE IN INCHES TOLERANCES ARE: FRACTIONS DECIMALS ANGLES ±1/32 .XX ±.03 ±1/2° .XXX ±.010		CONTRACT NO.		BIRK AEROSYSTEMS CORPORATION GARDEN GROVE, CALIFORNIA 92843	
DO NOT SCALE DRAWING		APPROVALS	DATE	TITLE	
MATERIAL		DRAWN	BLB	00-06-20	MOUNTING NUT
SEE PL		CHECKED	BLB	00-06-20	
FINISH		ENGR	BLB	00-06-20	SIZE CAGE CODE
SEE NOTE(S)		ISSUED	BLB	00-06-20	DWG NO.
TREATMENT		FILE NO. 8008/PV3		SCALE 1/1	WT. SHEET 3
NEXT ASSY	USED ON	APPLICATION		REV. A	8008

4

3

2

1

DWG NO. 8008
SHEET 3 REV A