

1

2

3

4

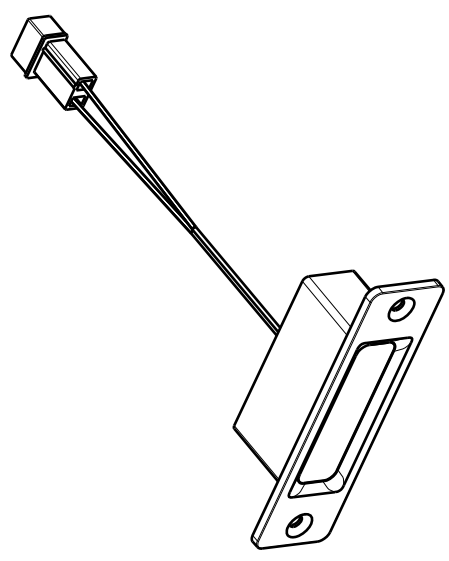
THE INFORMATION DISCLOSED HEREIN WAS ORIGINATED BY AND IS THE PROPERTY OF BIRK AEROSYSTEMS CORPORATION. BIRK AEROSYSTEMS CORPORATION RESERVES ALL PATENT, PROPRIETARY DESIGN, USE, MANUFACTURING AND REPRODUCTION RIGHTS.

REV	B	B
SHEET	1	2

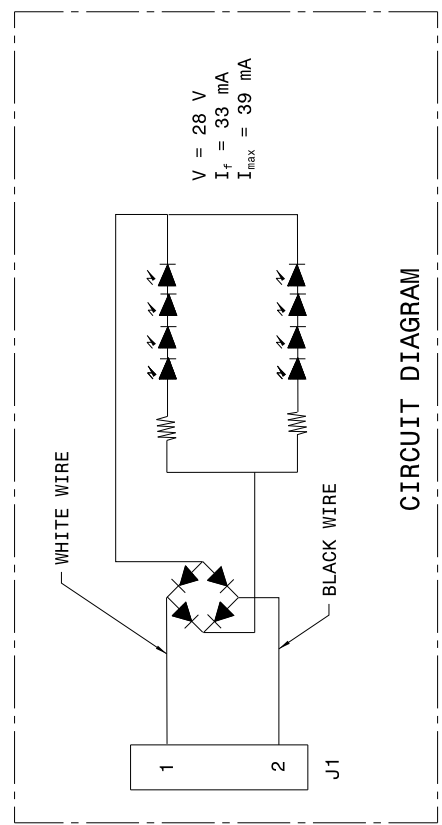
ZONE	REV	DESCRIPTION	DATE	APPROVED
	-	SEE DCN 4636.	10-11-16	BLB
	A	SEE DCN 4740.	10-12-17	BLB
	B	SEE DCN 4882.	11-01-26	BLB

NOTE(S):

- LED COLOR: WARM WHITE
- IDENTIFY WHERE SHOWN WITH THE FOLLOWING:
 - A) BAC
 - B) PART NUMBER
 - C) DATE CODE: YYWW (YEAR/WEEK)
 - D) VOLTAGE: 28V
- HOUSING COLOR: BLACK TO APPROXIMATE FED-STD-595 COLOR NO. 27038.
- ACCEPTANCE TEST PER ATP5164.
- MAXIMUM WEIGHT: 33 GRAMS



ISOMETRIC VIEW



CIRCUIT DIAGRAM

DWG. NO. AL5164 SH 1 REV B

QTY.	RECD.	CODE	IDENTIFYING NO.	QTY.	RECD.	CODE	IDENTIFYING NO.	QTY.	RECD.	CODE	IDENTIFYING NO.
1			5164-1								
ENTRY LIGHT, LED TYPE				THERMOPLASTIC				MATERIAL SPECIFICATION			

CONTRACT NO.		DATE	
BIRK AEROSYSTEMS CORPORATION		10-11-16	
GARDEN GROVE, CALIFORNIA 92843			
APPROVALS		TITLE	
DRAWN	SM	CHECKED	BLB
DRAWN		ENGR	
CHECKED		ISSUED	
ENGR		CLB	
ISSUED		FILE NO.	
CLB		AL5164/PV	
FILE NO.		SCALE	
AL5164		1/1	
REV.		SHEET	
B		1 OF 2	

1

2

3

4

A

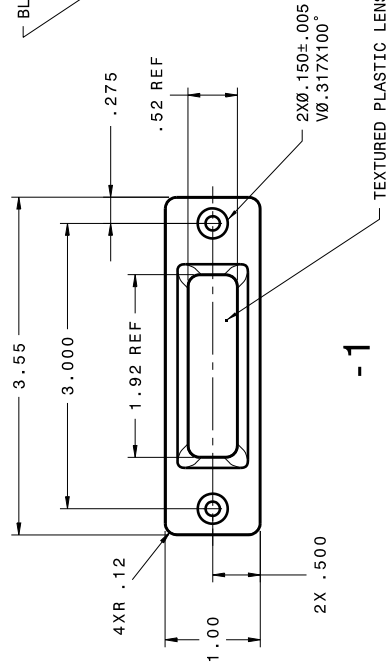
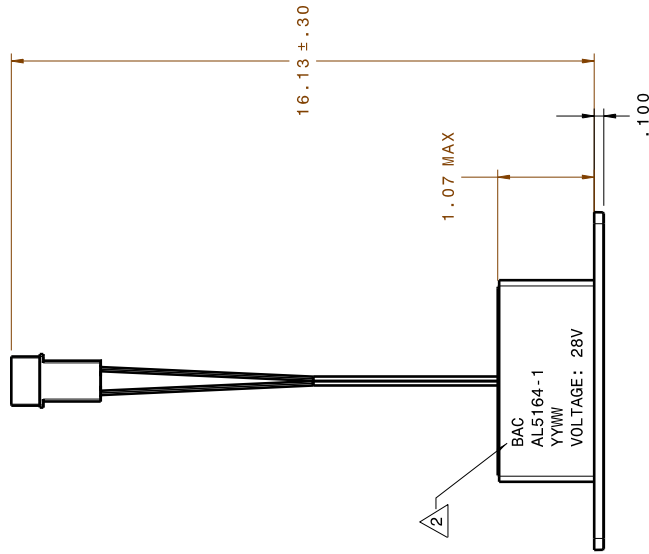
B

C

D

THE INFORMATION DISCLOSED HEREIN WAS ORIGINATED BY AND IS THE PROPERTY OF BIRK AEROSYSTEMS CORPORATION. BIRK AEROSYSTEMS CORPORATION RESERVES ALL PATENT, PROPRIETARY DESIGN, USE, MANUFACTURING AND REPRODUCTION RIGHTS.

ZONE	REV	DESCRIPTION	DATE	APPROVED
	-	SEE DCN 4636.	10-11-16	BLB
	A	SEE DCN 4740.	10-12-17	BLB
	B	SEE DCN 4882.	11-01-26	BLB



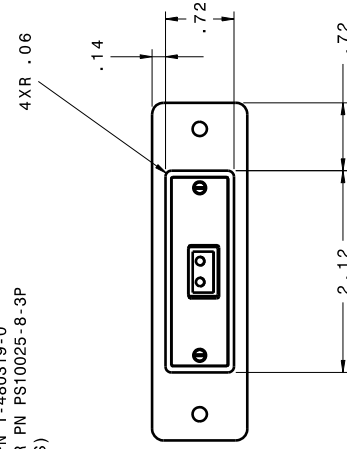
22 GAGE WIRE PER MIL-W-22759/34-22

CAP AMP PN 1-480319-0
PIN PIPER PN PS10025-8-3P
(2 PLACES)

BLACK POLYCARBONATE HOUSING

1

J1



UNLESS OTHERWISE SPECIFIED		CONTRACT NO.	
TOLERANCES ARE IN INCHES	APPROVALS	DATE	TITLE
FRACTIONS 1/16, 1/32	SM	10-11-16	BIRK AEROSYSTEMS CORPORATION GARDEN GROVE, CALIFORNIA 92843
DECIMALS .XXX±.010	ENGR	10-11-16	ENTRY LIGHT, LED TYPE
ANGLES ±1/2°	ISSUED	10-11-16	CAGE CODE
DO NOT SCALE DRAWING	FILE NO.	AL5164/1P/2	SCALE
MATERIAL SEE PL			1/1
FINISH SEE NOTE(S)			
TREATMENT			

ZONE	REV	DESCRIPTION	DATE	APPROVED
	-	SEE DCN 4636.	10-11-16	BLB
	A	SEE DCN 4740.	10-12-17	BLB
	B	SEE DCN 4882.	11-01-26	BLB

BAC BIRK AEROSYSTEMS CORP. GARDEN GROVE, CA.	DOCUMENT CHANGE NOTICE	<input type="checkbox"/> ADCN <input checked="" type="checkbox"/> DCN NO. 4882 Sheet 1 of 1
---	-----------------------------------	---

Document Title: ENTRY LIGHT, LED TYPE	Document. No.: AL5164	Rev. Letter: B	Release Date: 11-01-28
---	---------------------------------	--------------------------	----------------------------------

REASON				PROJECT#:10111001		Prepared By:		C. BIRK		DATE	
SUPPLIER REQUEST		QUALITY/RELIABILITY		DCR #: 0180	Checked By:	B. BIRK				11-01-28	
CUSTOMER REQUEST AS NOTED BELOW		DOCUMENT ERROR	X	LOG #: 4882	IMPACT ANALYSIS REPORT AREAS AFFECTED YES NO MANUFACTURING <input type="checkbox"/> <input checked="" type="checkbox"/> SERVICE <input type="checkbox"/> <input checked="" type="checkbox"/>						
PRODUCT IMPROVEMENT		NEW RELEASE		STATUS (R) P							
PRODUCIBILITY		DESIGN CHANGE		CLASS 1 2 (3)							
COST REDUCTION		SAFETY									

Description of Change:

1) SHEET 2, ZONE 3C: IS: 16.13+/- .30 WAS: 6.13+/- .30

MFG INTERVENTION POINT	NOTES: ALL WIP CONFORMS		
SER NO. _____ DATE: 11-01-28 Y CODE E N S O NEW PARTS <input checked="" type="checkbox"/> U S R VENDOR NOT. <input checked="" type="checkbox"/> U S R INVENTORY <input checked="" type="checkbox"/> U S R WIP <input checked="" type="checkbox"/> U S R FIN PROD <input checked="" type="checkbox"/> U S R OTHER <input type="checkbox"/> U S R	ADCN/DCN COMMITTEE APPROVALS		EFFECTIVITY REQUIREMENTS FIELD RETROFIT CONTROL
	ORGANIZATION	SIGNATURE	DATE
	Q. A.	<i>W. H. Baker</i>	1-28-11
	ENGINEERING	<i>[Signature]</i>	11-01-28
	MATERIAL	<i>[Signature]</i>	11-01-28
	PRODUCTION	<i>[Signature]</i>	11-28-11
	SALES	<i>[Signature]</i>	11/28/2011
	TAG NO. REQD <input type="checkbox"/> YES <input checked="" type="checkbox"/> NO		TAG NO. _____
	<input type="checkbox"/> MANDATORY		<input type="checkbox"/> OPTIONAL
	<input type="checkbox"/> REPLACE ITEM		<input type="checkbox"/> OTHER _____