

Product Description

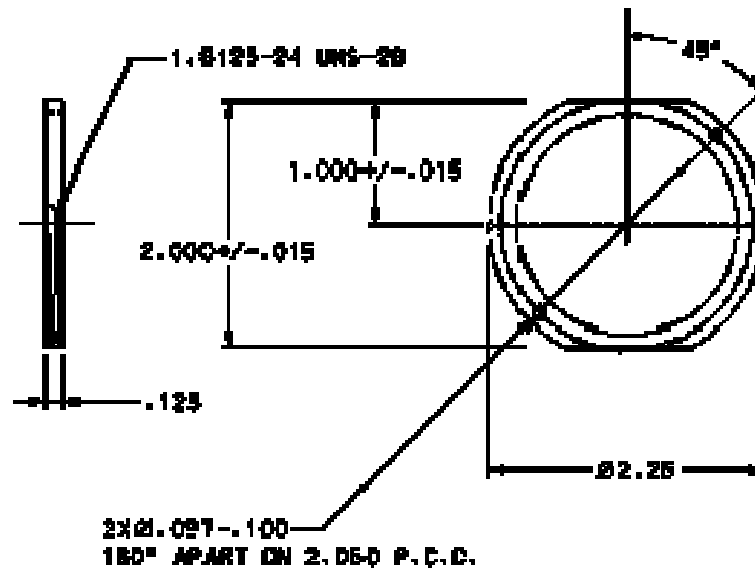
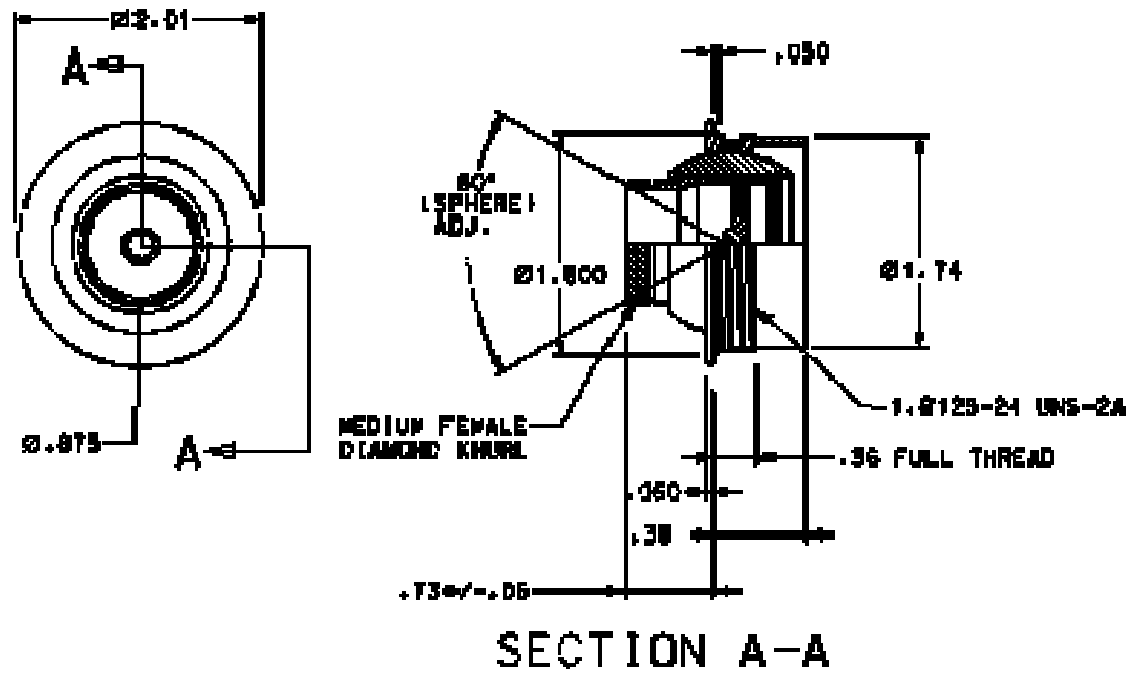
Durable aluminum construction

0.88 inch inside diameter nozzle

Diamond knurl nozzle grip

Low air leakage

Mounting nut type installation



This disc type air valve is designed for high flow volumes at low duct pressure. The AV151102 maximizes air flow control and is perfect for air flow and directional control in single engine and crew areas on aircraft.

14321 Commerce Drive
Garden Grove CA, 92843

Phone: 714-554-9782
Fax: 714-554-3659
www.birkaero.net