

## Product Description

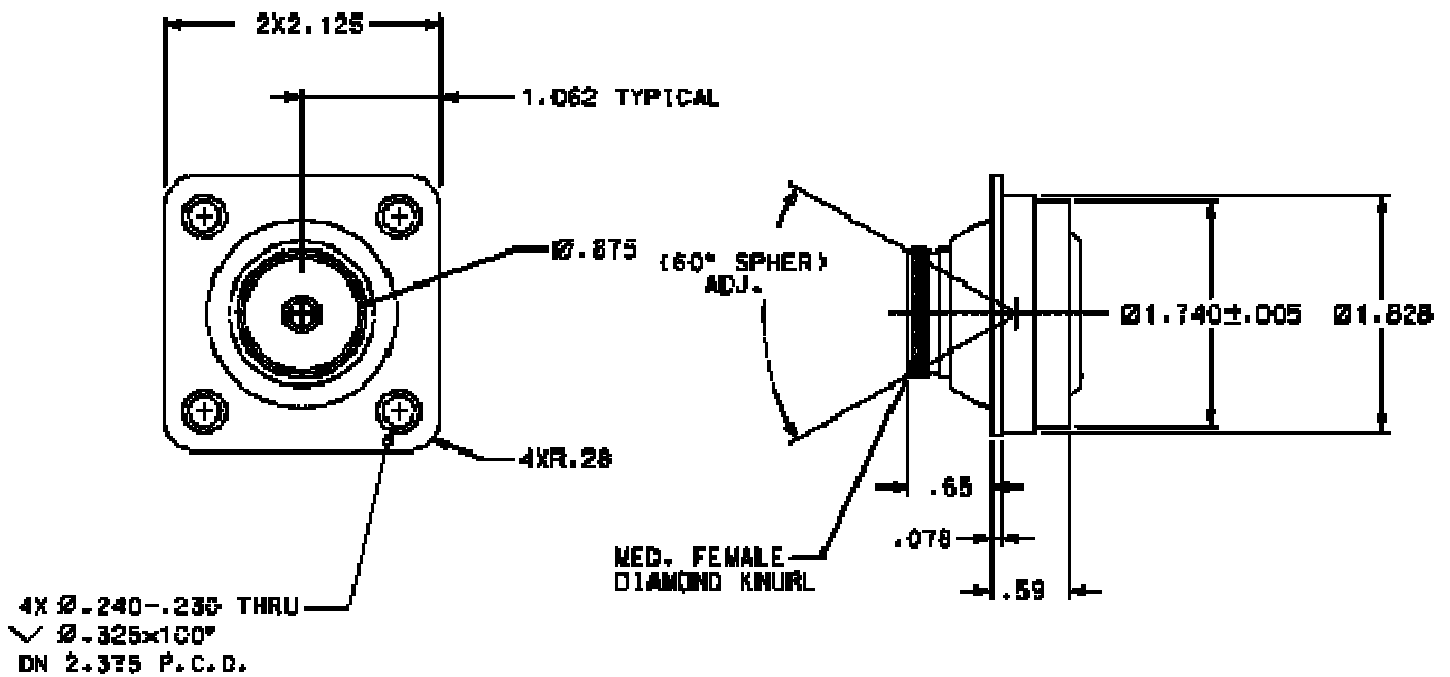
Durable aluminum construction

0.88 inch inside diameter nozzle

Diamond knurl nozzle grip

Low air leakage

Screw mount installation



This disc type air valve is designed for high flow volumes at low duct pressure. The AV154801 maximizes air flow control and is perfect for air flow and directional control in single engine and crew areas on aircraft.

14321 Commerce Drive  
 Garden Grove CA, 92843

Phone: 714-554-9782  
 Fax: 714-554-3659  
[www.birkaero.net](http://www.birkaero.net)