

THE INFORMATION DISCLOSED HEREIN WAS ORIGINATED BY AND IS THE PROPERTY OF BIRK AEROSYSTEMS CORPORATION. BIRK AEROSYSTEMS CORPORATION RESERVES ALL PATENT, PROPRIETARY, DESIGN, USE, MANUFACTURING AND REPRODUCTION RIGHTS THERETO.

REV STATUS OF SHEET	REV	—				
	SHEET	1				

REVISION				
ZONE	REV	DESCRIPTION	DATE	APPROVED
	-	SEE DCN 2086.	04-08-19	BLB

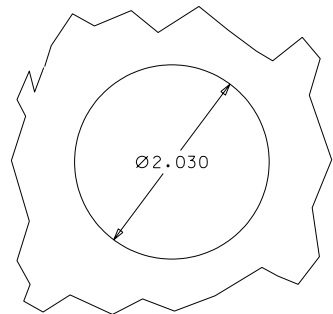
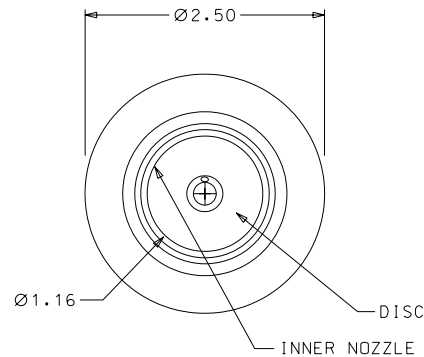
NOTE(S):

- AIR FLOW IN FULLY OPENED POSITION AND 0.5 INCHES OF WATER PRESSURE: 13.0 SCFM
- LEAKAGE IN FULLY CLOSED POSITION AT 3.0 INCHES OF APPLIED WATER PRESSURE: .50 CFM MAX.
- FINISH/MATERIAL:
AIR VALVE - COLLAR, BALL, FLANGE: GREY PER SAMPLE (TO APPROXIMATE DA2.13)/ POLYCARBONATE
AIR VALVE - INNER NOZZLE AND DISC: BLACK ANODIZE/ALUMINUM ALLOY
MOUNTING NUT: BLACK/POLYCARBONATE
- MAXIMUM WEIGHT: 60 GRAMS
- ACCEPTANCE TEST PER ATP AVDT001.

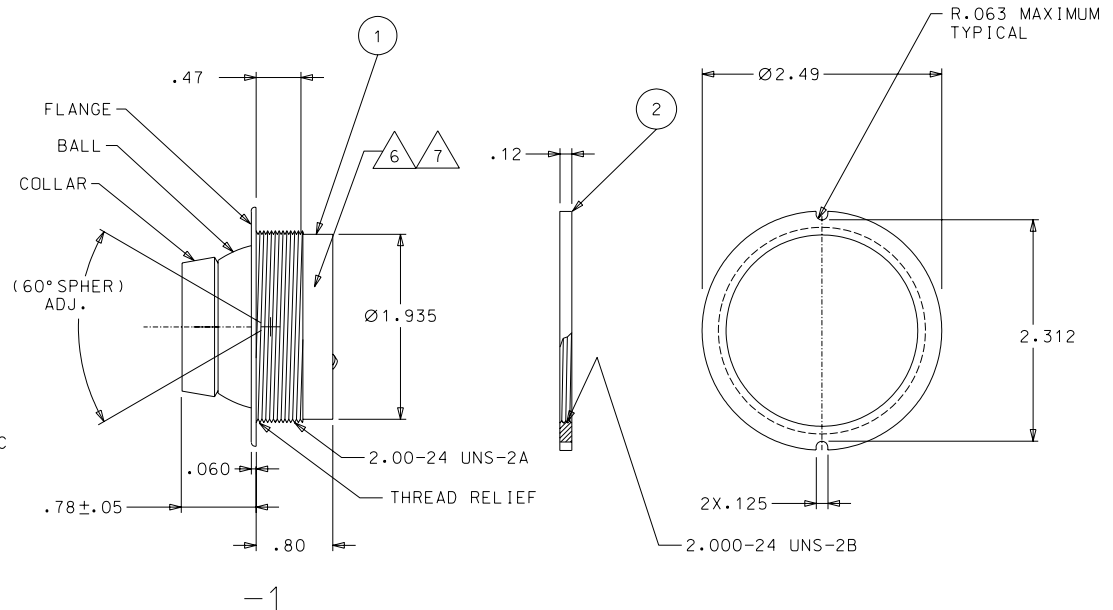
△ 6 PERMANENTLY IDENTIFY WITH THE FOLLOWING:

BAC
PART NUMBER
MFG DATE CODE (YYWW)

△ 7 AIR VALVE SURFACE MATES WITH BAC PLENUM CAPS PC7071-1 AND PC7075-1,-2.



RECOMMENDED MOUNTING HOLE
MAXIMUM PANEL THICKNESS: .25



QTY REQD	CAGE CODE	PART OR IDENTIFYING NO.	NOMENCLATURE OR DESCRIPTION	MATERIAL SPECIFICATION	ITEM NO.
1		MN1725-1	MOUNTING NUT	BLACK POLYCARBONATE	2
1		264304-1	AIR VALVE	GREY POLYCARBONATE / ALUMINUM ALLOY	1

PARTS LIST

UNLESS OTHERWISE SPECIFIED DIMENSIONS ARE IN INCHES TOLERANCES ARE:		CONTRACT NO.		BIRK AEROSYSTEMS CORPORATION GARDEN GROVE, CALIFORNIA 92843	
FRACTIONS	DECIMALS	ANGLES	APPROVALS	DATE	TITLE
±1/32	.XX	±.03	DRAWN	04-08-19	AIR VALVE, DISC TYPE, 1.16 ID, PLASTIC
.XXX	±.010	±1/2°	CHECKED	DKS 04-08-19	
DO NOT SCALE DRAWING			ENGR	BLB 04-08-19	SIZE CAGE CODE
MATERIAL SEE PL			ISSUED	CLB 04-08-19	DWG NO. AV264304
FINISH SEE NOTE(S)			FILE NO.	AV264304/PV	SCALE 1/1
TREATMENT			WT.		SHEET 1 OF 1
NEXT ASSY	USED ON	APPLICATION			

DWG NO. AV264304 SH 1 REV 1