



Product Description

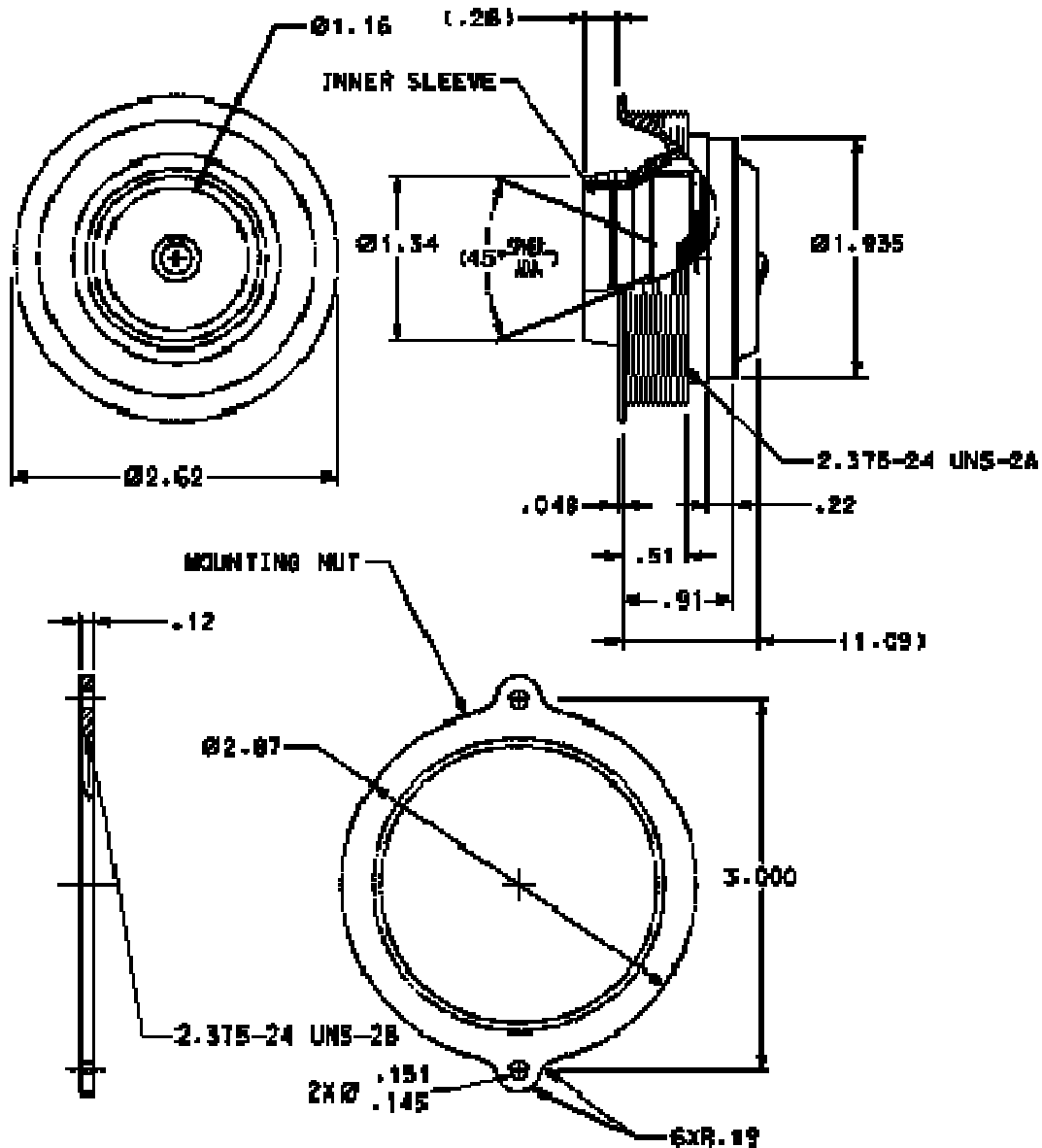
Durable bright buff clear anodized finish

Disc type design allows superior air flow control

Low air leakage

1.16 inch inside diameter nozzle

Mounting nut type installation



The disc type design, supplied with a clear anodized finish bright buffed to look similar to chrome, allows for a larger air flow pattern and has minimal leakage in the closed position. The recessed ball reduces cabin protrusion which makes the air valve well suited for passenger cabin and crew area installations.

14321 Commerce Drive
Garden Grove CA, 92843

Phone: 714-554-9782
Fax: 714-554-3659
www.birkaero.net