

Product Description

Durable clear anodized finish

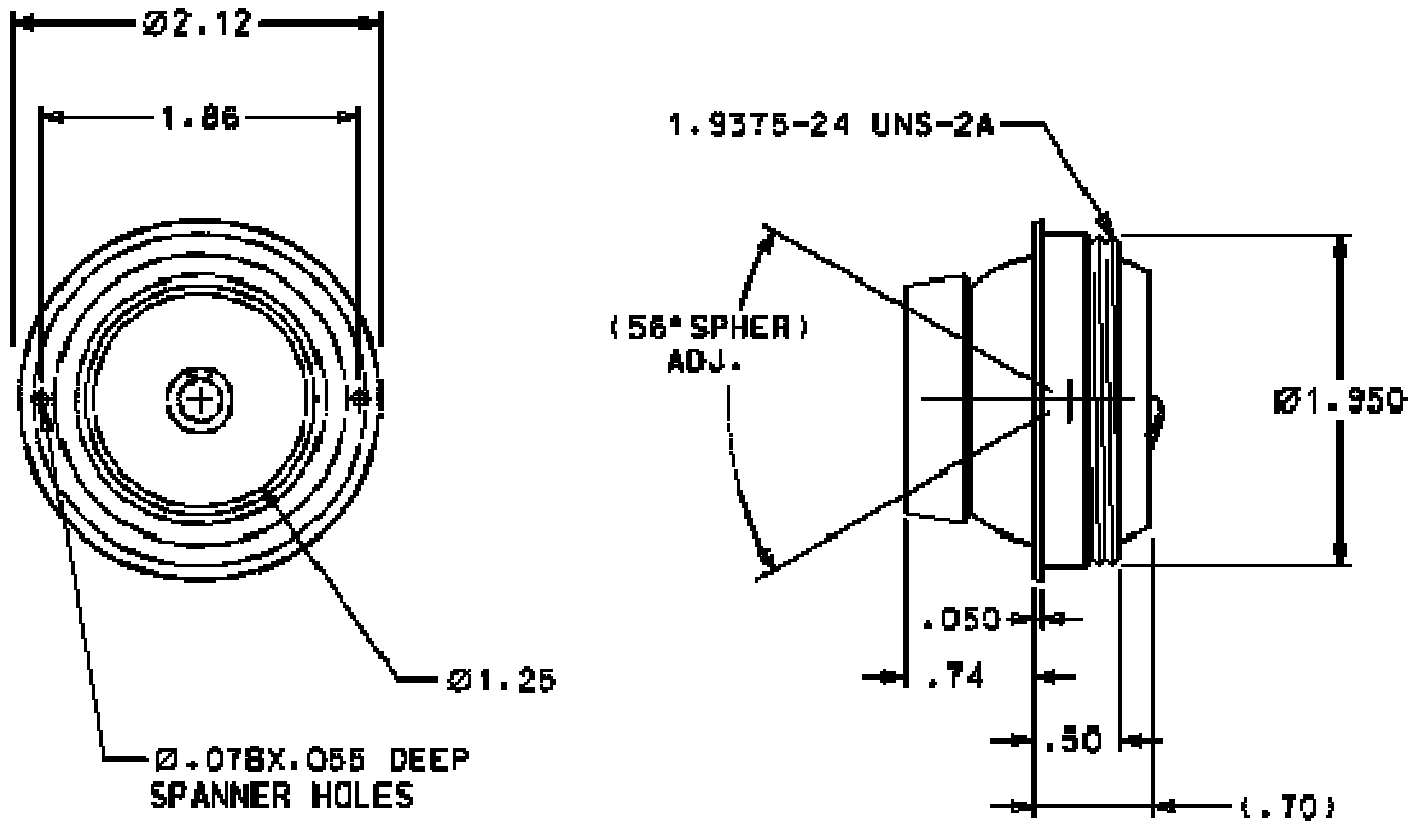
Disc type design allows superior air flow control

Low air leakage

Smooth nozzle grip

1.25 inch inside diameter nozzle

Mounting nut type installation



The disc type design, supplied with a clear or black anodized finish, allows for a larger air flow pattern and low air leakage. The air valve is supplied with a smooth nozzle grip and is threaded on the housing for a mounting nut type installation. A wide range of mounting nuts are offered as accessories to accommodate a wide range of panel installations.

14321 Commerce Drive
Garden Grove CA, 92843

Phone: 714-554-9782
Fax: 714-554-3659
www.birkaero.net

