



## Product Description

Durable anodized finish

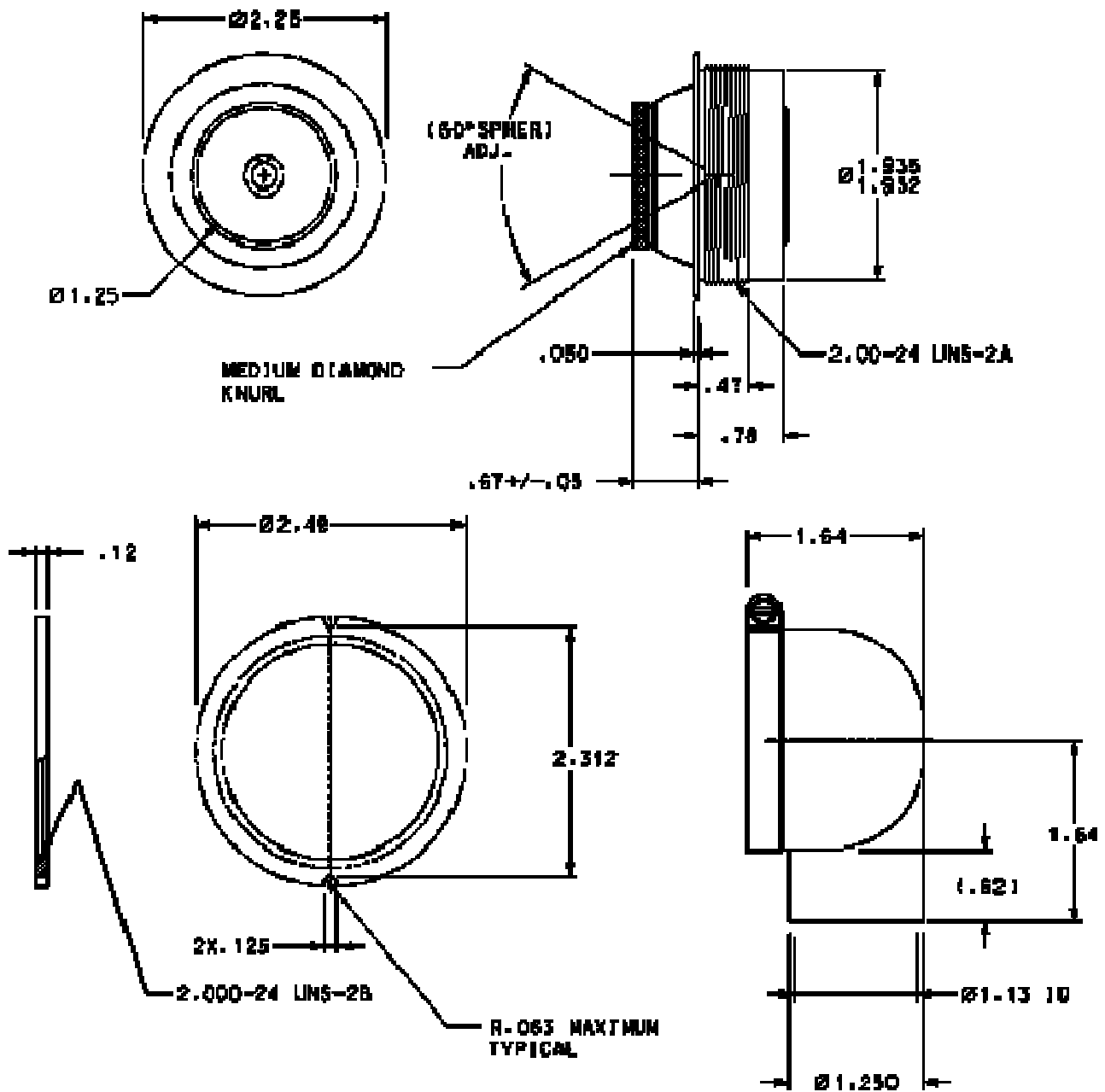
Disc type design allows superior air flow control

Diamond knurl nozzle grip

1.25 inch inside diameter nozzle

Mounting nut type installation

Plenum cap with 1.25 inch hose port



The disc type design, supplied with black or clear anodized finish, allows for a large air flow pattern and has minimal leakage in the closed position. The air valve includes a light weight plastic mounting nut and a plenum cap with 1.25 inch hose port oriented at 90 degrees.

14321 Commerce Drive  
Garden Grove CA, 92843

Phone: 714-554-9782  
Fax: 714-554-3659  
www.birkaero.net