



Product Description

Poppet type design for low leakage

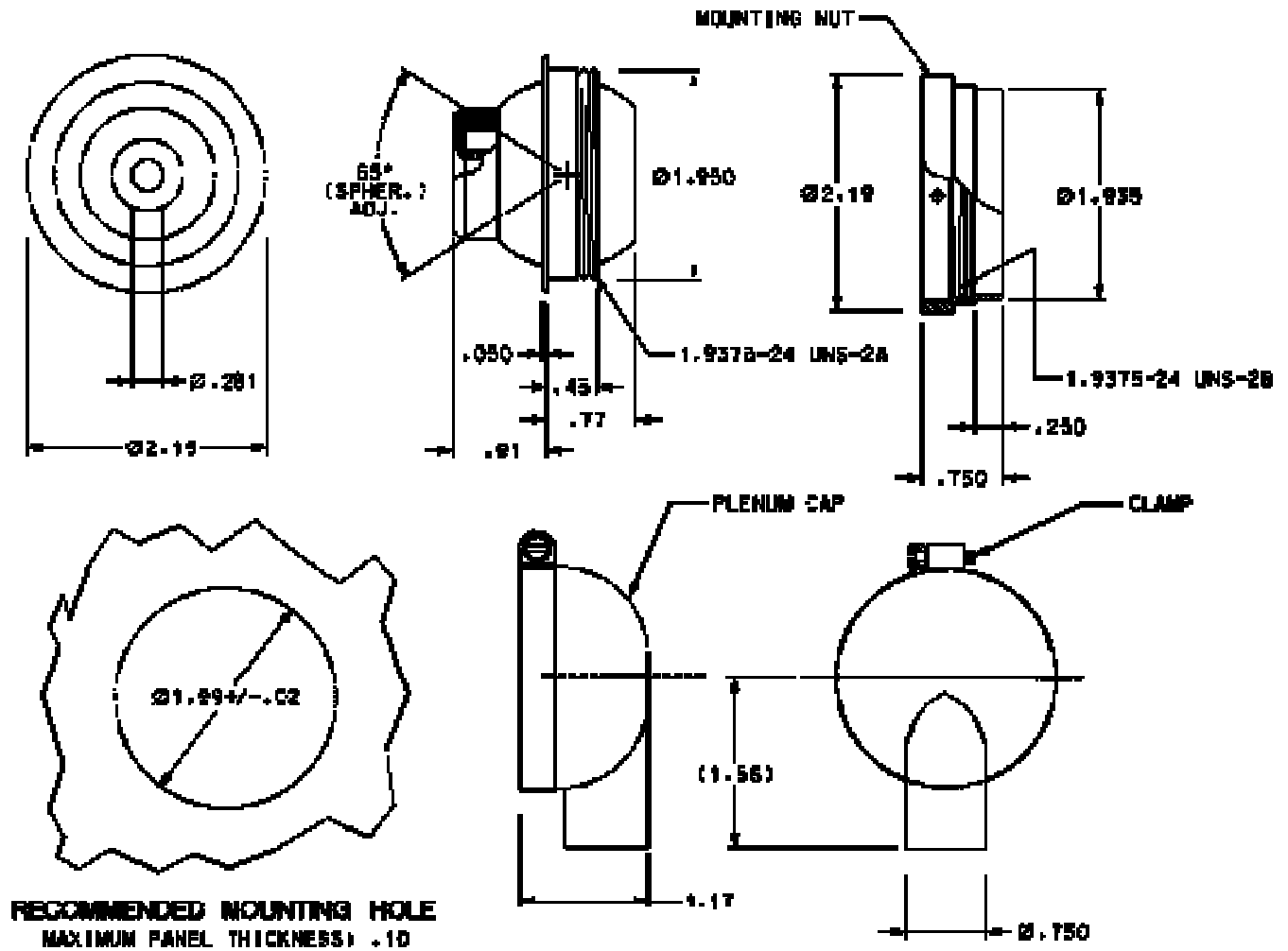
Focused air stream

Durable aluminum construction

Wide range of finishes available

Mounting nut type installation

Includes plenum cap assembly with $\text{\O}0.75$ inch hose port



The AV4032 poppet type air valve is designed for aircraft passenger areas where a focused air stream is required. This ball type style permits the operator to have complete control of the air stream direction and the amount of air flow volume through the air valve. The nozzle of the air valve has a smooth easy to maintain gripping surface. The air valve provides low air flow volumes at high velocities when air supply duct pressures are in the range of 3 to 6 inches H₂O.

14321 Commerce Drive
Garden Grove CA, 92843

Phone: 714-554-9782
Fax: 714-554-3659
www.birkaero.net

Matching Reading Light



RL6879