



Product Description

Poppet type design for low leakage

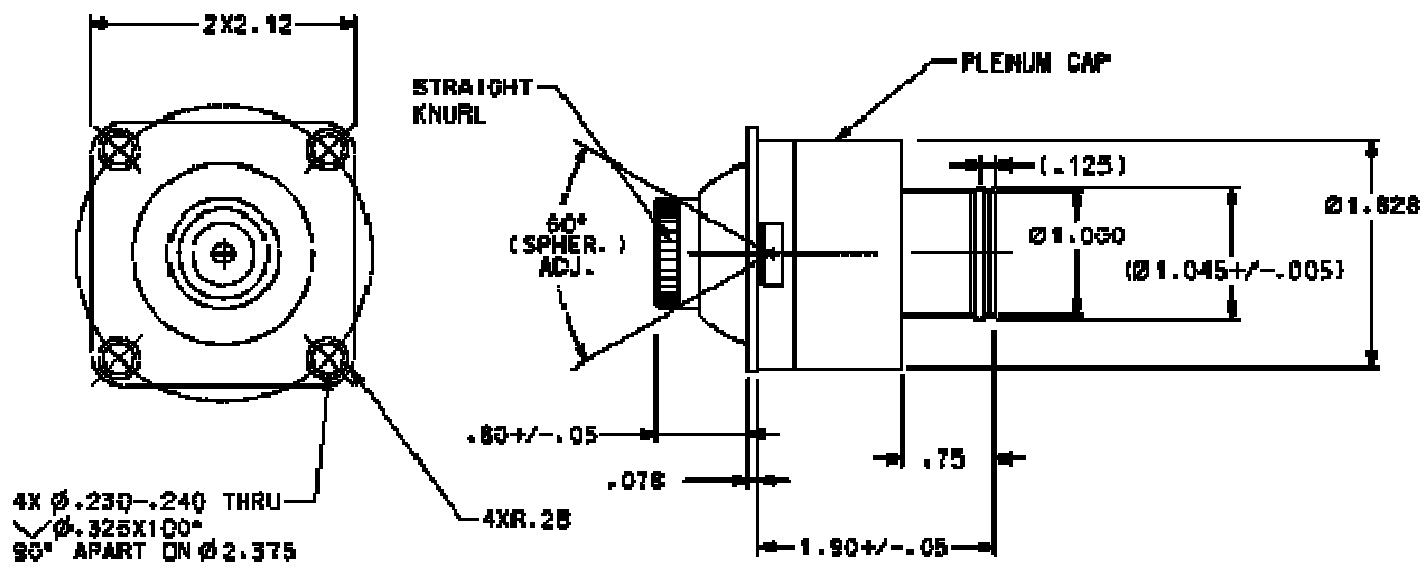
Focused air stream

Durable aluminum construction

Wide range finishes available

Screw type installation

Includes plenum cap with 1.00 inch diameter hose port



The AV4037 poppet type air valve is designed for aircraft passenger areas where a focused air stream is required. This ball type style permits the operator to have complete control of the air stream direction and amount of air flow volume through the air valve. The nozzle of the air valve has a straight knurl for gripping surface. The air valve provides low air flow volumes at high velocities when air supply duct pressures are in the range of 3 to 6 inches H₂O.

14321 Commerce Drive
 Garden Grove CA, 92843

Phone: 714-554-9782
 Fax: 714-554-3659
www.birkaero.net