

## Product Description

Poppet type design for low leakage

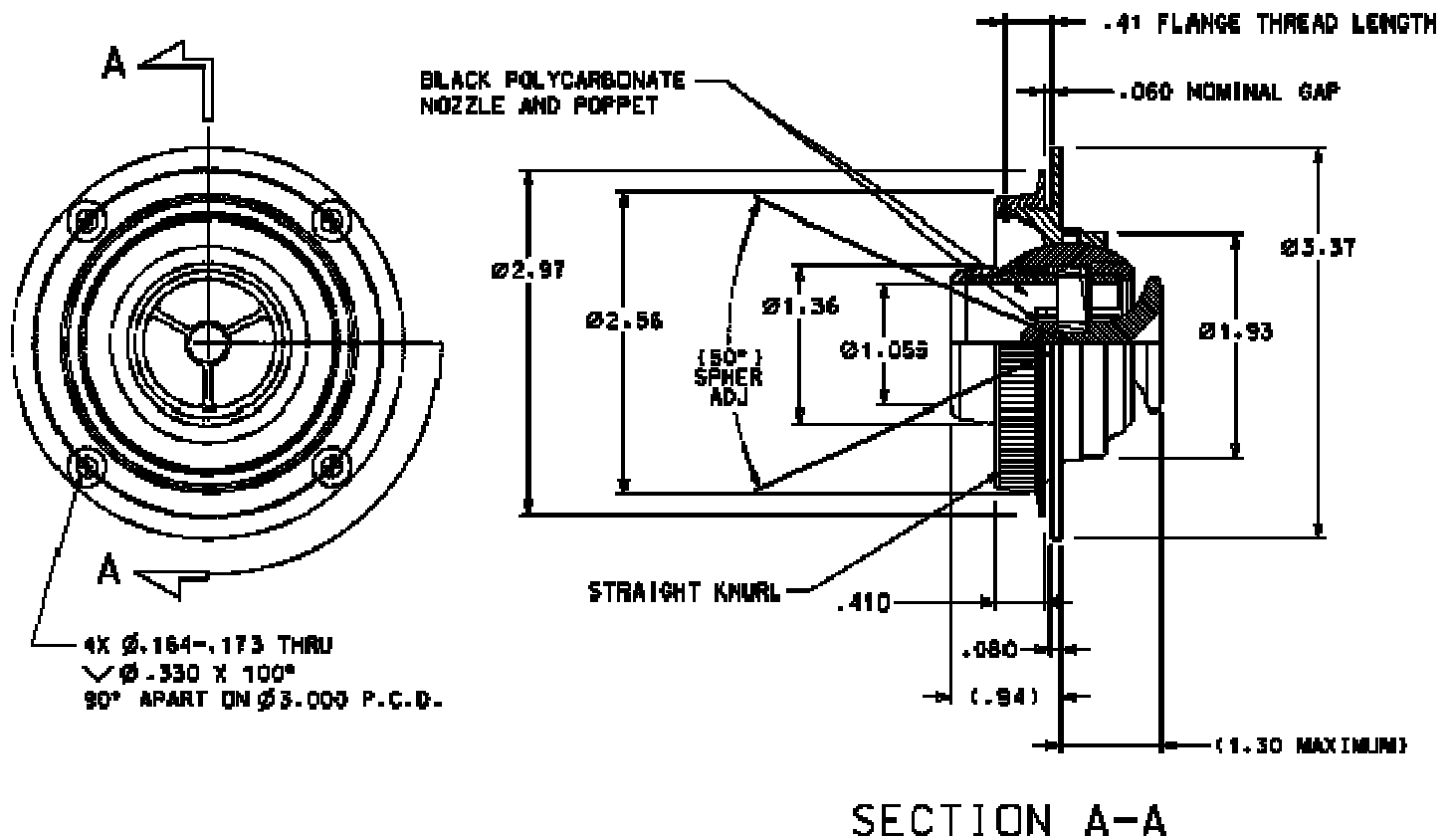
Durable aluminum construction of ball, collar, and flange

Injection molded black nozzle and poppet

1.06 inch inside diameter nozzle

Smooth nozzle grip

Screw type installation



The AV4068 poppet type air valve is designed to provide high air flow volumes at low duct pressures and has minimal leakage in the closed position. The air valve is well suited for cockpit and crew area installations. The nozzle is provided in black plastic to reduce condensation and weight. The air valve is installed with four screws and has a cosmetic closeout ring for securing the adjacent panel.

14321 Commerce Drive  
 Garden Grove CA, 92843

Phone: 714-554-9782  
 Fax: 714-554-3659  
[www.birkaero.net](http://www.birkaero.net)