



Product Description

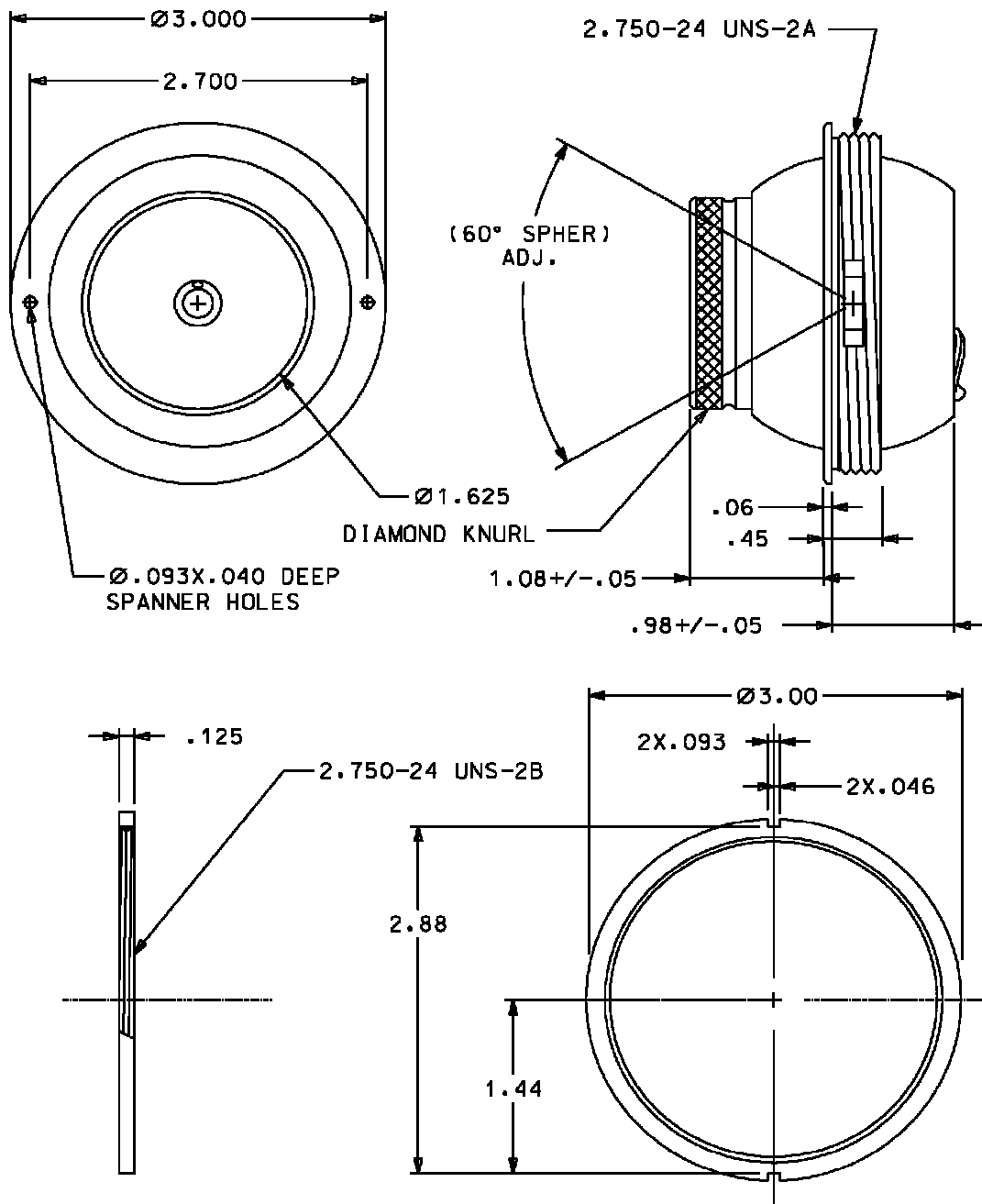
Durable anodized finish

Disc type design allows superior air flow control

Diamond knurl nozzle grip

1.63 inch inside diameter nozzle

Mounting nut type of installation



The disc type design, supplied with a clear or black anodized finish, allows for a larger air flow pattern and low air leakage. The air valve has a threaded mounting nut for ease of installation. The air valve is designed for single engine aircraft and rotorcraft.

14321 Commerce Drive
Garden Grove CA, 92843

Phone: 714-554-9782
Fax: 714-554-3659
www.birkaero.net