

4

3

2

1

THE INFORMATION DISCLOSED HEREIN WAS ORIGINATED BY AND IS THE PROPERTY OF BIRK AEROSYSTEMS CORPORATION. BIRK AEROSYSTEMS CORPORATION RESERVES ALL PATENT, PROPRIETARY, DESIGN, USE, MANUFACTURING AND REPRODUCTION RIGHTS THERETO.

REV STATUS OF SHEET	REV	D					
	SHEET	1					

REVISION				
ZONE	REV	DESCRIPTION	DATE	APPROVED
	-	SEE DCN 0507.	00-02-23	BLB
	A	SEE DCN 0543.	00-03-24	BLB
	B	SEE DCN 0594.	00-05-03	BLB
	C	SEE DCN 0910.	01-02-27	BLB
	D	SEE DCN 1556.	02-07-31	BLB

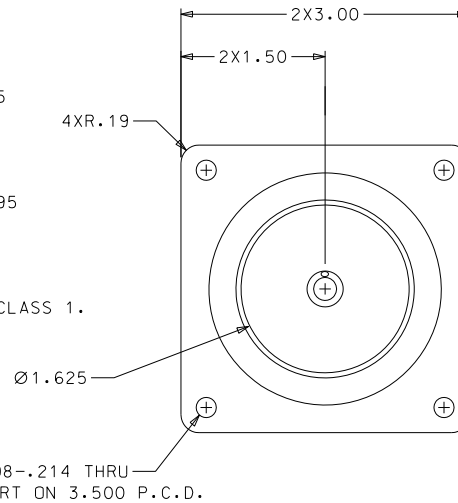
NOTE(S):

- AIR FLOW IN FULLY OPENED POSITION AND 0.50 INCHES OF WATER PRESSURE: 30.0 SCFM MINIMUM
- LEAKAGE IN FULLY CLOSED POSITION AT 3.0 INCHES OF APPLIED WATER PRESSURE: 0.50 SCFM MAX.
- FINISH:
 - 1,-4: FLANGE: GREY POLYCARBONATE TO MATCH FED-STD-595 COLOR NO. 36440. BALL, NOZZLE, DISC: GREY ANODIZE TO APPROXIMATE FED-STD-595 COLOR NO. 36440 PER MIL-A-8625 TYPE I, CLASS 1. NICKEL ACETATE SEAL.
 - 2: FLANGE: BLACK POLYCARBONATE TO MATCH FED-STD-595 COLOR NO. 27038. BALL, NOZZLE, DISC: BLACK ANODIZE TO APPROXIMATE FED-STD-595 COLOR NO. 27038 PER MIL-A-8625 TYPE II, CLASS 2. NICKEL ACETATE SEAL.
 - 3: FLANGE: GREY POLYCARBONATE TO MATCH FED-STD-595 COLOR NO. 36440. BALL, NOZZLE, DISC: CLEAR ANODIZE PER MIL-A-8625 TYPE II, CLASS 1. NICKEL ACETATE SEAL.
- MAXIMUM WEIGHT: 130.0 GRAMS
- ACCEPTANCE TEST PER ATP AVDT001.
- NOZZLE ROTATION FROM OPEN TO CLOSED: 90° +/- 5°.

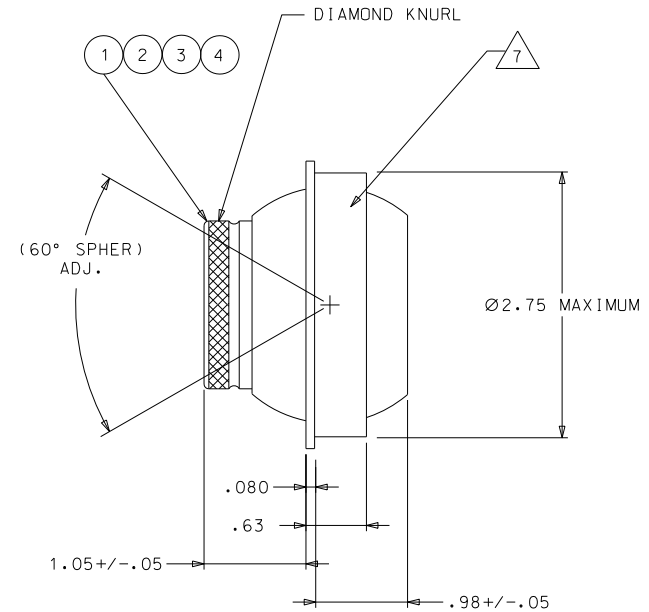


PERMANENTLY IDENTIFY WITH THE FOLLOWING:

BAC
PART NUMBER
MFG DATE CODE (YYWW)



-1, -2, -3, -4



1	2	3	4	5	6	7	8	9	10
				576801-4	AIR VALVE	AL ALLOY 2024-T351/POLYCARBONATE	4		
	1			576801-3	AIR VALVE	AL ALLOY 6061-T6511/POLYCARBONATE	3		
		1		576801-2	AIR VALVE	AL ALLOY 6061-T6511/POLYCARBONATE	2		
			1	576801-1	AIR VALVE	AL ALLOY 6061-T6511/POLYCARBONATE	1		
-4	-3	-2	-1	CAGE CODE	PART OR IDENTIFYING NO.	NOMENCLATURE OR DESCRIPTION	MATERIAL SPECIFICATION	ITEM NO.	
PARTS LIST									
				UNLESS OTHERWISE SPECIFIED DIMENSIONS ARE IN INCHES TOLERANCES ARE:		CONTRACT NO.			
				FRACTIONS DECIMALS ANGLES		APPROVALS		DATE	
				±1/32 ±.005 ±1/2°		DRAWN		00-02-23	
				±.001 ±.010 ±1/2°		CHECKED		00-02-23	
				DO NOT SCALE DRAWING		ENGR		00-02-23	
				MATERIAL		ISSUED		00-02-23	
				SEE PL		FILE NO.		AV576801/PV	
				FINISH		SCALE		1/1	
				SEE NOTE(S)		WT.			
				TREATMENT		SHEET		1 OF 1	
				APPLICATION		REV.		D	
						TITLE		AIR VALVE, DISC TYPE, 1.625 ID, SQUARE	
						SIZE		C 1XE65	
						DWG. NO.		AV576801	

4

3

2

1

DWG. NO. AV576801 SH. 1 REV. D

A

BAC

BIRK AEROSYSTEMS CORP.
HUNTINGTON BEACH, CA.

DOCUMENT CHANGE NOTICE

ADCN DCN
NO. 1556

Sheet 1 of 1

Document Title:

AIR VALVE, DISC TYPE, 1.625 ID, SQUARE

Document No.:

AV576801

Rev. Letter:

D

Release Date:

02-07-31

REASON

SUPPLIER REQUEST	QUALITY/RELIABILITY	PROJECT #: 02053101	Prepared By:	B. BIRK	DATE	02-07-31
CUSTOMER REQUEST AS NOTED BELOW	DOCUMENT ERROR	DCR #: NA	Checked By:	B. BIRK		02-07-31
	NEW RELEASE	LOG #: 1556	IMPACT ANALYSIS REPORT			
PRODUCIBILITY	DESIGN CHANGE	STATUS (R) P	AREAS AFFECTED YES <input type="checkbox"/> NO <input checked="" type="checkbox"/>			
COST REDUCTION	SAFETY	CLASS 1 (2)	MANUFACTURING <input type="checkbox"/> SERVICE <input checked="" type="checkbox"/>			

Description of Change:

- 1) ADDED -4 TO GN3 AND ZONE 2B
- 2) PARTS LIST ADDED -4 AND ITEM 4
- 3) SHEET 1, ZONE 2B IS: 1.05+/-0.05 WAS: 1.09+/-0.05
- 4) SHEET 1, ZONE 2B IS: .080 WAS: .09

MFG INTERVENTION POINT

SER NO. _____ DATE: 02-07-31

Y	DATE	02-07-31
E	CODE	
S		
O		

NEW PARTS	<input checked="" type="checkbox"/>	USR
VENDOR NOT.	<input type="checkbox"/>	USR
INVENTORY	<input type="checkbox"/>	USR
WIP	<input type="checkbox"/>	USR
FIN PROD	<input type="checkbox"/>	USR
OTHER	<input type="checkbox"/>	USR

NOTES:

ADCN/DCN COMMITTEE APPROVALS

ORGANIZATION	SIGNATURE	DATE
Q. A.	<i>[Signature]</i>	02-07-31
ENGINEERING	<i>[Signature]</i>	02-07-31
PURCHASING	<i>[Signature]</i>	7-31-02
MANUFACTURING	<i>[Signature]</i>	7-31-02
CUST. SERVICE	<i>[Signature]</i>	7/31/02

EFFECTIVITY REQUIREMENTS FIELD RETROFIT CONTROL

TAG NO. REQD YES NO

TAG NO. _____

MANDATORY

OPTIONAL

REPLACE ITEM

OTHER