

THE INFORMATION DISCLOSED HEREIN WAS ORIGINATED BY AND IS THE PROPERTY OF BIRK AEROSYSTEMS CORPORATION. BIRK AEROSYSTEMS CORPORATION RESERVES ALL PATENT, PROPRIETARY, DESIGN, USE, MANUFACTURING AND REPRODUCTION RIGHTS THERETO.

REV STATUS OF SHEET	REV	A					
	SHEET	1					

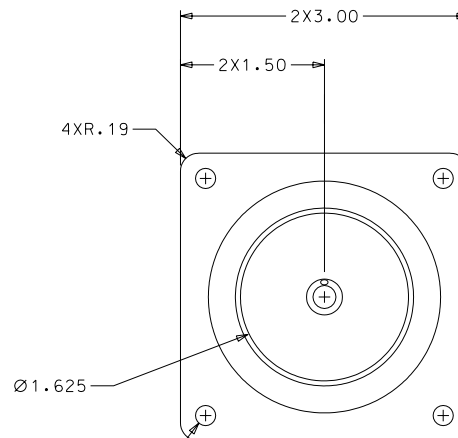
REVISION				
ZONE	REV	DESCRIPTION	DATE	APPROVED
	-	SEE DCN 2012.	04-02-25	BLB
	A	SEE DCN 2031.	04-03-22	BLB

NOTE(S):

- AIR FLOW IN FULLY OPENED POSITION AND 0.50 INCHES OF WATER PRESSURE: 30.0 SCFM MINIMUM
- LEAKAGE IN FULLY CLOSED POSITION AT 3.0 INCHES OF APPLIED WATER PRESSURE: 0.50 SCFM MAX.
- FINISH:
 - 1: FLANGE, BALL, NOZZLE, DISC: CLEAR ANODIZE PER MIL-A-8625 TYPE II, CLASS 1, NICKEL ACETATE SEAL.
 - 2: FLANGE, BALL, NOZZLE, DISC: BLACK ANODIZE TO APPROXIMATE FED-STD-595 COLOR NO. 27038 PER MIL-A-8625 TYPE II, CLASS 2, NICKEL ACETATE SEAL.
- MAXIMUM WEIGHT: 145.0 GRAMS
- ACCEPTANCE TEST PER ATP AVDT001.
- NOZZLE ROTATION FROM OPEN TO CLOSED: 90° +/- 5°.

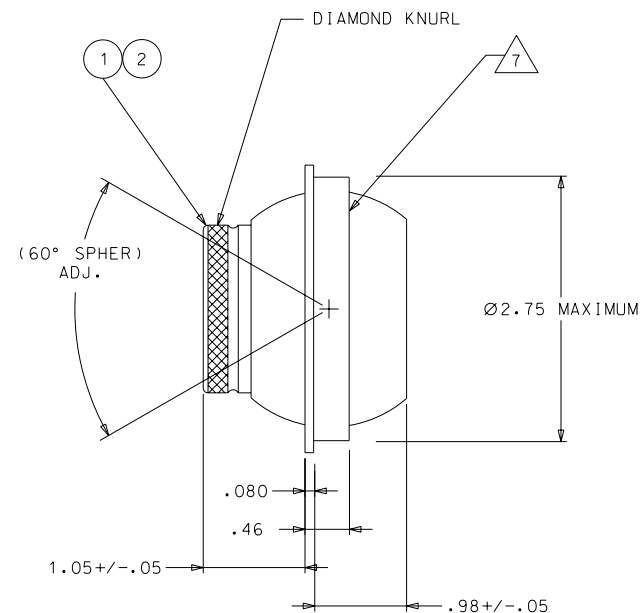
7 PERMANENTLY IDENTIFY WITH THE FOLLOWING:

BAC
PART NUMBER
MFG DATE CODE (YYWW)



4X Ø.208-.214 THRU
90° APART ON 3.500 P.C.D.

-1, -2



QTY REQD	-2	-1	CAGE CODE	PART OR IDENTIFYING NO.	NOMENCLATURE OR DESCRIPTION	MATERIAL SPECIFICATION	ITEM NO.
	1			576804-2	AIR VALVE	AL ALLOY	2
		1		576804-1	AIR VALVE	AL ALLOY	1

PARTS LIST

UNLESS OTHERWISE SPECIFIED DIMENSIONS ARE IN INCHES TOLERANCES ARE: FRACTIONS DECIMALS ANGLES ±1/32 .XX 5.03 ±1/2° DO NOT SCALE DRAWING		CONTRACT NO.		BIRK AEROSYSTEMS CORPORATION GARDEN GROVE, CALIFORNIA 92843	
MATERIAL	SEE PL	APPROVALS	DATE	TITLE	
FINISH	SEE NOTE(S)	DRAWN	BLB	04-02-25	AIR VALVE, DISC TYPE, 1.625 ID, SQUARE
NEXT ASSY	USED ON	CHECKED	DKS	04-02-25	SIZE CAGE CODE
APPLICATION		ENGR	BLB	04-02-25	DWG NO.
		ISSUED	CLB	04-02-25	AV576804/A
		FILE NO.	AV576804/PV	SCALE	1/1
		WT.		SHEET	1 OF 1

DWG NO. AV576804 SH 1 REV A