



Product Description

Durable plastic coat hook

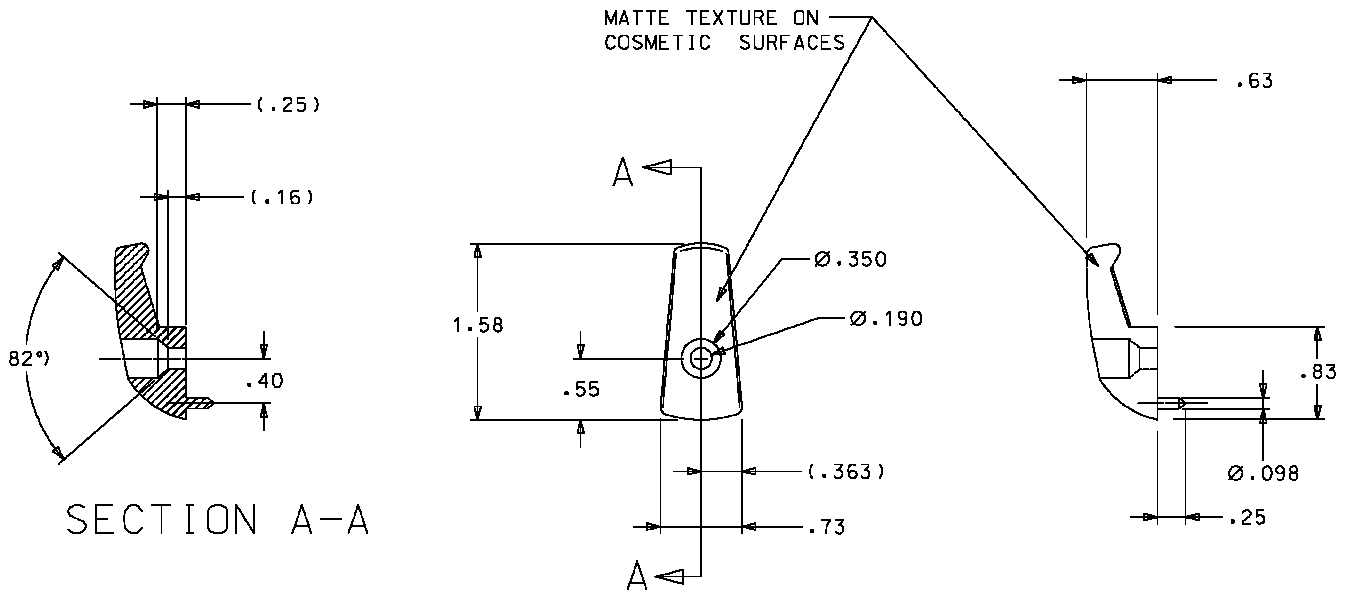
Perfect for holding coats, hats, or headphones

Variety of colors - black, grey, white, platinum, sterling, bronze

Simple one screw installation

Light weight

Meets flammability requirements of FAA 25.853



Part Number

CH6710-1
 CH6710-2
 CH6710-3
 CH6710-4
 CH6710-5

Color

Black
 Gray
 Gray
 Gray
 White Sand

Part Number

CH6710-6
 CH6710-7
 CH6710-8
 CH6710-9
 CH6710-10
 CH6710-11

Color

Light Bronze
 Light Platinum
 Light Sterling
 Dark Bronze
 Dark Platinum
 Dark Sterling

CH6710 is an injection molded plastic coat hook with a fine matte finish. The coat hook comes in an assortment of colors making it ideal for any color scheme. An anti-rotation boss on the backside of the coat hook enables it to be installed using only one screw.

14321 Commerce Drive
 Garden Grove CA, 92843

Phone: 714-554-9782
 Fax: 714-554-3659
www.birkaero.net