



Product Description

Designed to fit air valves with 1.932-1.935 inch OD housing

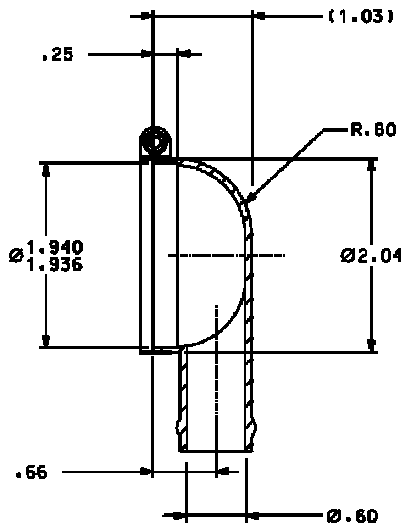
Light weight plastic polycarbonate construction

Available with or without clamp

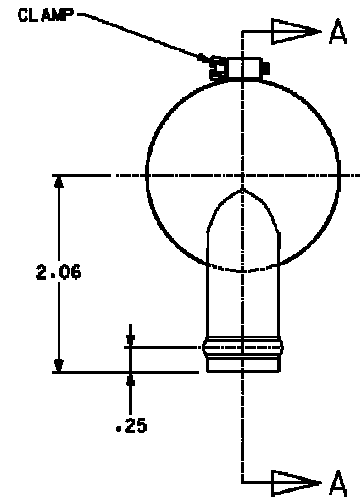
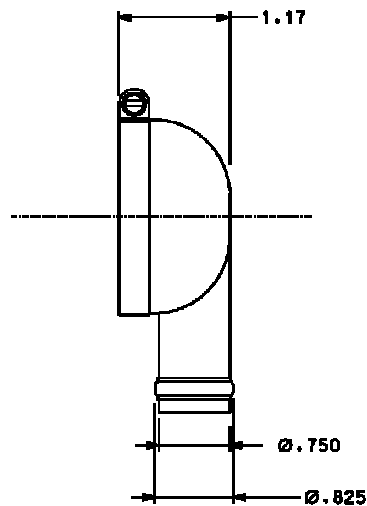
Simple slip on installation

90 degree angle hose port

Hose port to accommodate 0.75 inch ID hose



SECTION A-A



Part Number

PC7041-1
 PC7109-1
 PC7043-1

Configuration

Includes gear clamp
 Includes wire clamp
 No clamp

The plenum cap, made from molded polycarbonate, is designed to install on air valves that have a 1.932-1.935 inch outside diameter surface on the back housing. The beaded hose port, with its 0.75 inch outside diameter, is oriented at a 90 degree angle to minimize behind panel protrusion and interfaces to standard 0.75 inch ID air supply hoses. The plenum cap is supplied as part number PC7043-1 for applications not requiring a clamp. PC7041-1 is supplied with a gear clamp and PC7109-1 with a wire clamp.

14321 Commerce Drive
 Garden Grove CA, 92843

Phone: 714-554-9782
 Fax: 714-554-3659
 www.birkaero.net