



Product Description

Long life and high output halogen - 6000 hours

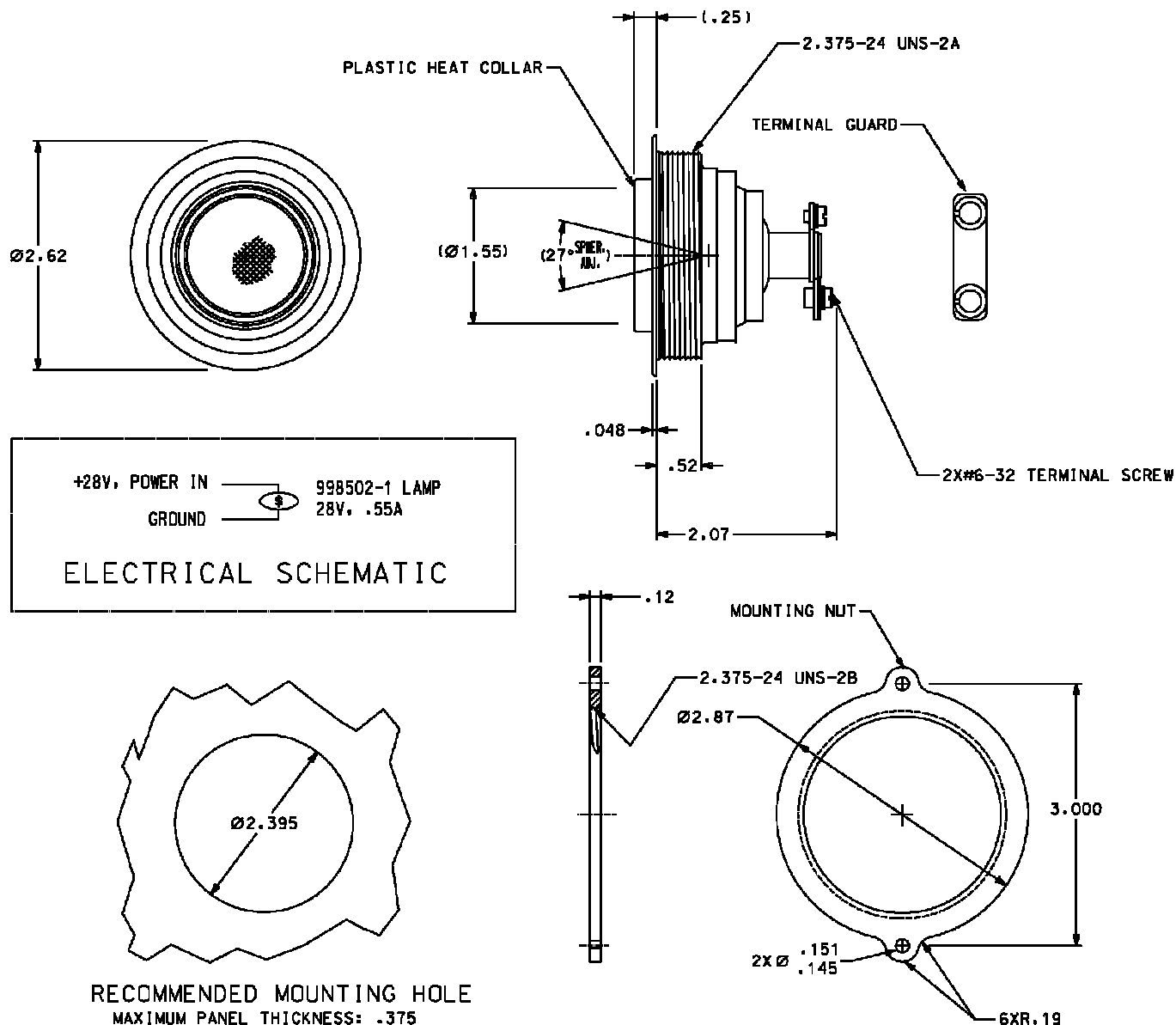
Operates on 28V AC or DC

Light weight aluminum construction

Recessed ball for minimal cabin protrusion

Custom plating available

Mounting nut type installation



The RL5029 halogen reading light is designed for main cabin areas on general aviation aircraft. A long life Welch Allyn® halogen lamp is used in the assembly which provides a warm color spot that enhances interior surrounding. This reading light uses a high output 15.4 watt halogen lamp that provides ample lighting up to 48 inches from the light. The reading light is provided with screw terminals for interface to the aircraft wiring systems and an elastomer terminal guard for terminal protection. A mounting nut is also provided for installation.

14321 Commerce Drive
Garden Grove CA, 92843

Phone: 714-554-9782
Fax: 714-554-3659
www.birkaero.net