

THE INFORMATION DISCLOSED HEREIN WAS ORIGINATED BY AND IS THE PROPERTY OF BIRK AEROSYSTEMS CORPORATION. BIRK AEROSYSTEMS CORPORATION RESERVES ALL PATENT, PROPRIETARY, DESIGN, USE, MANUFACTURING AND REPRODUCTION RIGHTS.

| | | | | | | |
|----------------------|-------|---|---|--|--|--|
| REV STATUS OF SHEETS | REV | - | - | | | |
| | SHEET | 1 | 2 | | | |

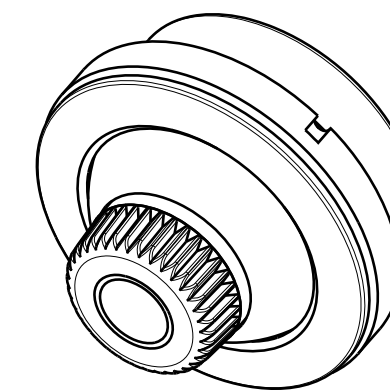
| ZONE | REV | DESCRIPTION | DATE | APPROVED |
|------|-----|---------------|----------|----------|
| | - | SEE DCN 5010. | 11-01-10 | BLB |

NOTE(S):

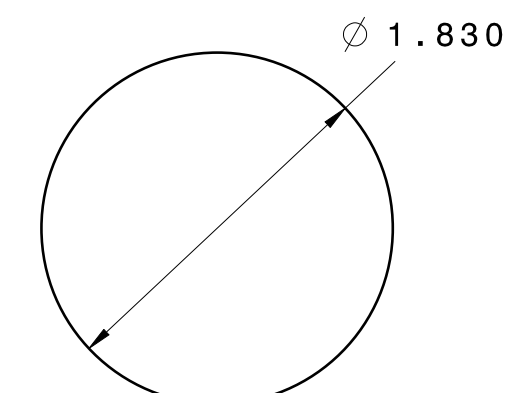
1. AIR OUTLET SPECIFICATION:
 - 1.1. FLOW: AT FULLY OPENED POSITION AND 2.0 INCHES OF WATER UPSTREAM APPLIED PRESSURE: 3.0 +/-0.2 SCFM.
 - 1.2. LEAKAGE: AT FULLY CLOSED POSITION, AND 20.0 INCHES OF WATER UPSTREAM APPLIED PRESSURE: NOT TO EXCEED 0.1 SCFM.
 - 1.3. THROW: AT A DISTANCE OF 24 INCHES FROM AIR OUTLET ON AXIS AND 3.0 INCHES OF WATER UPSTREAM APPLIED PRESSURE, LOCAL MAXIMUM VELOCITY: 425+/-50 FPM.
 - 1.4. SOUND LEVELS: AT 3.0 INCHES OF WATER APPLIED PRESSURE, IN FREQUENCY RANGES BETWEEN 1200 TO 2400, 2400-4800 AND 4800-9600 WITH ONE OCTAVE PER INCREMENT, SOUND PRESSURE LEVELS AT 30° OFF OUTLET AXIAL AXIS AND 10 INCHES AWAY SHALL NOT EXCEED 50 dB OR 60 dB IF AT 60° OFF AXIS AND 2.0 INCHES AWAY.
 - 1.5. NOZZLE ROTATION FROM OPENED TO CLOSED 290° MAX.
 - 1.6. TORQUE TO OPEN OR CLOSE NOZZLE: MINIMUM 0.5 IN-LBS LESS THAN BALL BREAKAWAY TORQUE.
 - 1.7. TORQUE TO ROTATE BALL IN MOUNTING FLANGE. 4.0 IN-LBS MAX.
2. ACCEPTANCE TEST PER ATP4147.
3. MARKINGS ARE PERMANENT AND LOCATED WHERE SPECIFIED. IDENTIFICATION MARKING INCLUDES FOLLOWING INFORMATION:
 - a) BAC
 - b) BAC PART NO.
 - c) MFR DATE CODE: YYWW (YY=YEAR; WW=WEEK).
4. COLOR OF AIR VALVE: PER TABLE 1
COLOR OF MOUNTING NUT PER TABLE 1, OPTIONAL BLACK.
5. WEIGHT: 45 GRAMS+/-5%
6. HANDLE WITH CARE, PART IS COSMETIC.
7. FOR GEOMETRIC INFORMATION NOT SHOWN ON THE FACE OF THIS DRAWING CAD MODEL TYPE DEFINITION IS AV4147-1 REV.-.CATProduct.
8. DASH NUMBER OF ITEM 1 AND 2 SAME AS DASH NUMBER OF AIR VALVE.

| BAC PART NO. | COLOR SCHEME | MATERIAL |
|--------------|------------------------------|--------------------------|
| AV4147-12 | CREAM PER RAL 9001 | LEXAN 943A-116, CS4W377C |
| AV4147-11 | STERLING (PLATINUM II 4987) | LEXAN 940-GY7C056 |
| AV4147-10 | PLATINUM (FOSSIL) | LEXAN 940-BR6010 |
| AV4147-9 | BRONZE (AZIMM 4990) | LEXAN 940-BR6C011 |
| AV4147-8 | STERLING (SLATE) | LEXAN 940-GY3C037 |
| AV4147-7 | PLATINUM (CLAY) | LEXAN 940-BR4C018 |
| AV4147-6 | BROWN (FAWN) | LEXAN 940-BR6C009 |
| AV4147-5 | WHITE SAND PER BOEING 7363 | LEXAN 940-WH1158 |
| AV4147-4 | GRAY PER DA2.13 | LEXAN 940-GY5835 |
| AV4147-3 | GRAY PER FED-STD-595 #36231 | LEXAN 940-GY2A484 |
| AV4147-2 | GRAY PER FED-STD-595 #36440 | LEXAN 940-GY6814 |
| AV4147-1 | BLACK PER FED-STD-595 #27038 | LEXAN 940-701 |

TABLE 1



ISOMETRIC VIEW



RECOMMENDED MOUNTING HOLE
MAXIMUM PANEL THICKNESS: .125

| QTY REQD | -XX | CAGE CODE | PART OR IDENTIFYING NO. | NOMENCLATURE OR DESCRIPTION | MATERIAL SPECIFICATION | ITEM NO. |
|----------|-----|-----------|-------------------------|-----------------------------|----------------------------|----------|
| | 1 | | MN13552-XX | MOUNTING NUT | MATERIAL/COLOR PER TABLE 1 | 2 |
| | 1 | | 4147-XX | AIR VALVE | MATERIAL/COLOR PER TABLE 1 | 1 |

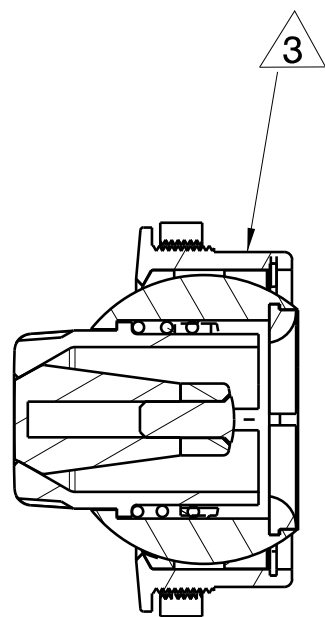
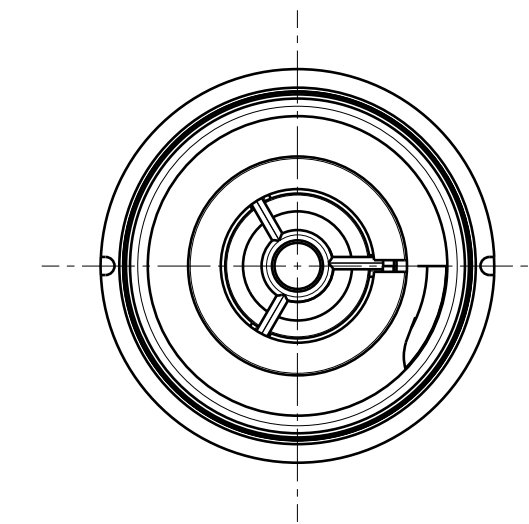
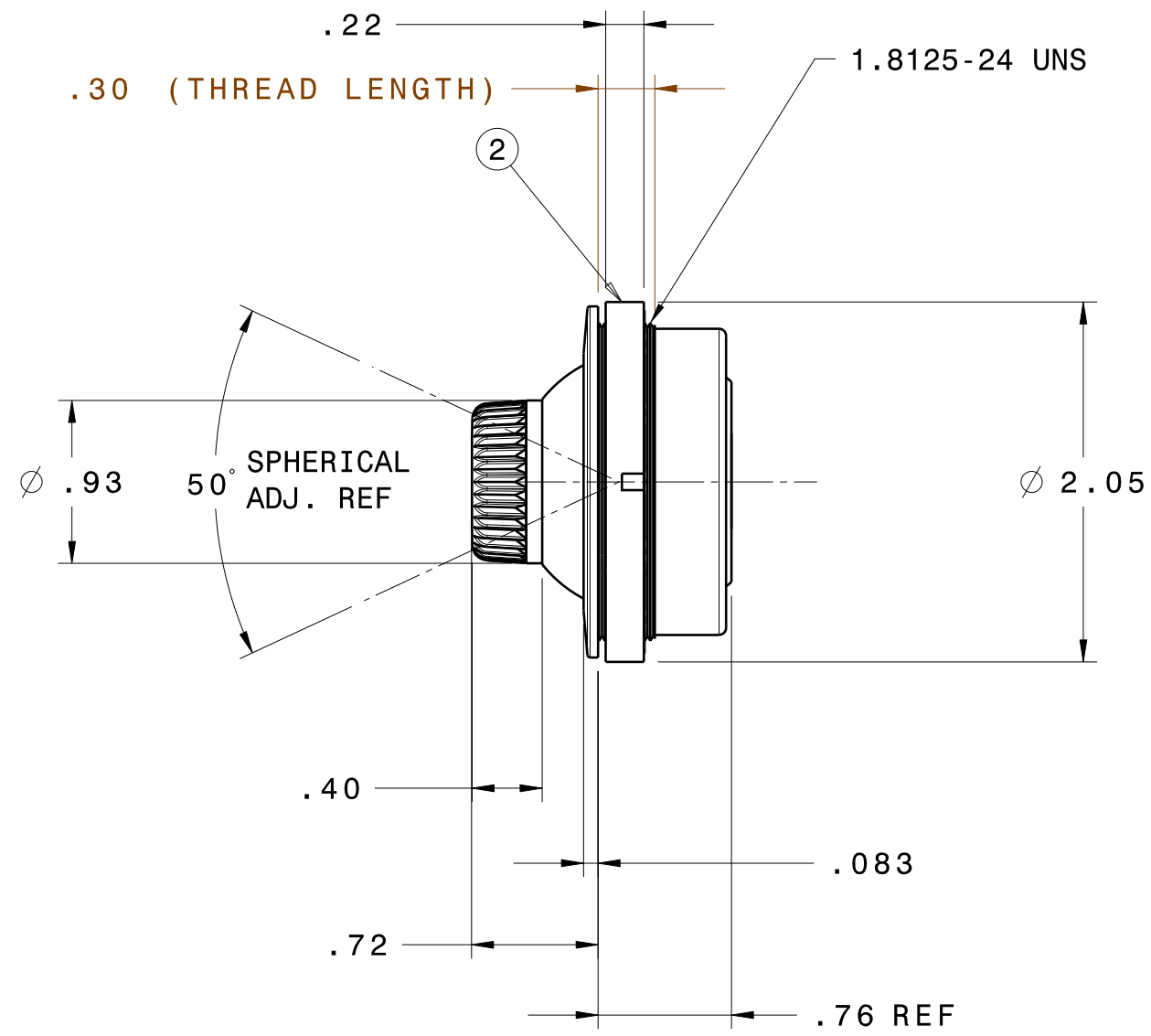
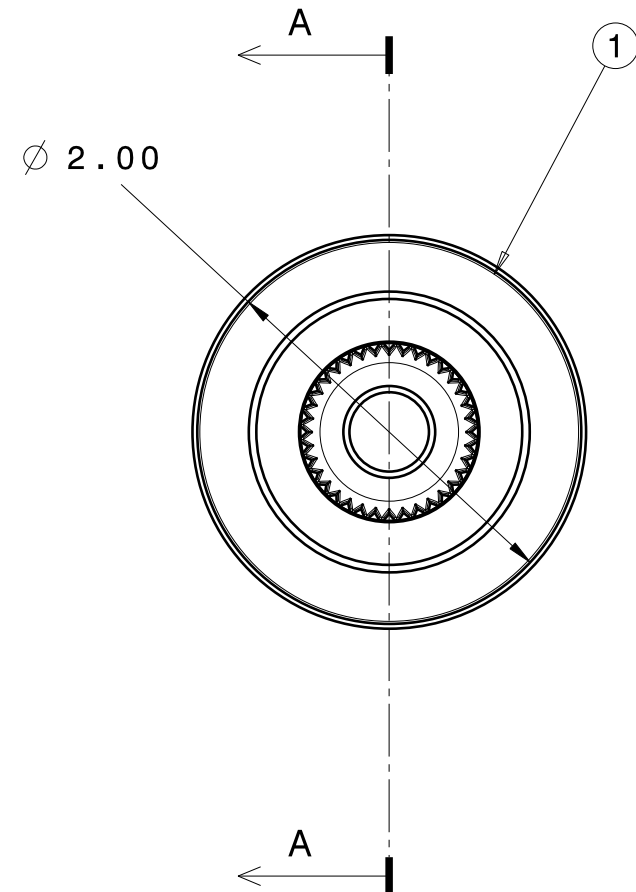
PARTS LIST

| | | | | | |
|---|-------------------|---------------|--------------------|--|------------------------|
| UNLESS OTHERWISE SPECIFIED DIMENSIONS ARE IN INCHES TOLERANCES ARE: | | CONTRACT NO. | | BIRK AEROSYSTEMS CORPORATION GARDEN GROVE, CALIFORNIA 92843 | |
| FRACTIONS ± 1/32 | DECIMALS .XX± .03 | ANGLES ± 1/2° | APPROVALS | DATE | TITLE |
| DO NOT SCALE DRAWING | | | DRAWN JMB | 11-01-10 | AIR VALVE, POPPET TYPE |
| MATERIAL SEE PL | | | CHECKED BLB | 11-01-10 | |
| FINISH SEE NOTE(S) | | | ENGR JMB | 11-01-10 | |
| TREATMENT | | | ISSUED CLB | 11-01-10 | |
| | | | FILE NO. AV4147/PV | SCALE 1/1 | WT. SHEET 1 OF 2 |

DWG. NO. AV4147
 SH 1
 REV 1

THE INFORMATION DISCLOSED HEREIN WAS ORIGINATED BY AND IS THE PROPERTY OF BIRK AEROSYSTEMS CORPORATION. BIRK AEROSYSTEMS CORPORATION RESERVES ALL PATENT, PROPRIETARY, DESIGN, USE, MANUFACTURING AND REPRODUCTION RIGHTS.

| ZONE | REV | DESCRIPTION | DATE | APPROVED |
|------|-----|---------------|----------|----------|
| | - | SEE DCN 5010. | 11-01-10 | BLB |



SECTION VIEW A-A

-XX

| | | | | | |
|--|--------------|----------|--|------------------------------|-----------------------|
| UNLESS OTHERWISE SPECIFIED DIMENSIONS ARE IN INCHES TOLERANCES ARE: FRACTIONS DECIMALS ANGLES $\pm 1/32$.XX \pm .03 $\pm 1/2^\circ$ DO NOT SCALE DRAWING | CONTRACT NO. | | BIRK AEROSYSTEMS CORPORATION GARDEN GROVE, CALIFORNIA 92843 | | |
| | APPROVALS | | DATE | TITLE | |
| | DRAWN | JMB | 11-01-10 | AIR VALVE, POPPET TYPE | |
| | CHECKED | BLB | 11-01-10 | SIZE CAGE CODE DWG. NO. REV. | |
| MATERIAL | SEE PL | ENGR | JMB | 11-01-10 | C 1XE65 AV4147 - |
| FINISH | SEE NOTE(S) | ISSUED | CLB | 11-01-10 | SCALE 1/1 WT. SHEET 2 |
| TREATMENT | | FILE NO. | AV4147/PV | | |

DWG. NO. AV4147
SH 2
REV -