

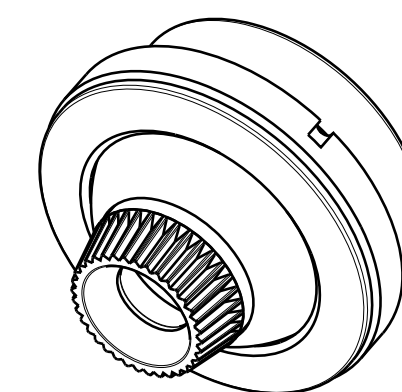
THE INFORMATION DISCLOSED HEREIN WAS ORIGINATED BY AND IS THE PROPERTY OF BIRK AEROSYSTEMS CORPORATION. BIRK AEROSYSTEMS CORPORATION RESERVES ALL PATENT, PROPRIETARY, DESIGN, USE, MANUFACTURING AND REPRODUCTION RIGHTS.

REV STATUS OF SHEETS	REV SHEET	A	-			
		1	2			

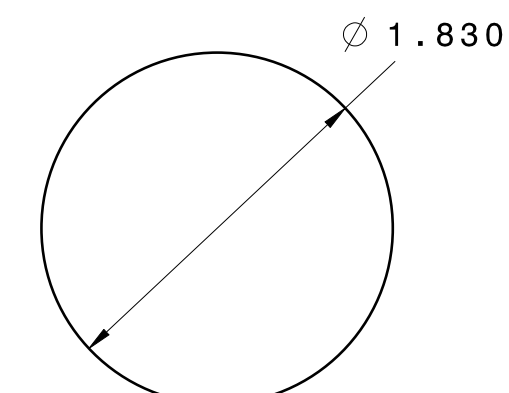
ZONE	REV	DESCRIPTION	DATE	APPROVED
	-	SEE DCN 5310.	11-07-19	BLB
	A	SEE DCN 6233.	13-03-14	BLB

NOTE(S):

1. AIR OUTLET SPECIFICATION:
  - 1.1. FLOW: AT FULLY OPENED POSITION AND 3.0 INCHES OF WATER UPSTREAM APPLIED PRESSURE: 5.0 SCFM MINIMUM.
  - 1.2. LEAKAGE: AT FULLY CLOSED POSITION, AND 20.0 INCHES OF WATER UPSTREAM APPLIED PRESSURE: NOT TO EXCEED 0.1 SCFM.
  - 1.3. THROW: AT A DISTANCE OF 24 INCHES FROM AIR OUTLET ON AXIS AND 3.0 INCHES OF WATER UPSTREAM APPLIED PRESSURE, LOCAL MAXIMUM VELOCITY: 425+/-50 FPM.
  - 1.4. SOUND LEVELS: AT 3.0 INCHES OF WATER APPLIED PRESSURE, IN FREQUENCY RANGES BETWEEN 1200 TO 2400, 2400-4800 AND 4800-9600 WITH ONE OCTAVE PER INCREMENT, SOUND PRESSURE LEVELS AT 30° OFF OUTLET AXIAL AXIS AND 10 INCHES AWAY SHALL NOT EXCEED 50 dB OR 60 dB IF AT 60° OFF AXIS AND 2.0 INCHES AWAY.
  - 1.5. NOZZLE ROTATION FROM OPENED TO CLOSED 290° MAX.
  - 1.6. TORQUE TO OPEN OR CLOSE NOZZLE: MINIMUM 0.5 IN-LBS LESS THAN BALL BREAKAWAY TORQUE.
  - 1.7. TORQUE TO ROTATE BALL IN MOUNTING FLANGE. 4.0 IN-LBS MAX.
2. ACCEPTANCE TEST PER ATP4153.
3. MARKINGS ARE PERMANENT AND LOCATED WHERE SPECIFIED. IDENTIFICATION MARKING INCLUDES FOLLOWING INFORMATION:
  - a) BAC
  - b) BAC PART NO.
  - c) MFR DATE CODE: YYWW (YY=YEAR; WW=WEEK).
4. COLOR OF AIR VALVE: PER TABLE 1  
COLOR OF MOUNTING NUT PER TABLE 1, OPTIONAL BLACK.
5. WEIGHT: 45 GRAMS+/-5%
6. HANDLE WITH CARE, PART IS COSMETIC.
7. FOR GEOMETRIC INFORMATION NOT SHOWN ON THE FACE OF THIS DRAWING CAD MODEL TYPE DEFINITION IS AV4153-1 REV.-.CATProduct.
8. DASH NUMBER OF ITEM 1 AND 2 SAME AS DASH NUMBER OF AIR VALVE.



ISOMETRIC VIEW



RECOMMENDED MOUNTING HOLE  
MAXIMUM PANEL THICKNESS: .125

BAC PART NO.	COLOR SCHEME	MATERIAL
AV4153-13	SILVER (MERCK 06Si07)	LEXAN 943A-116, CS9K864C
AV4153-12	CREAM PER RAL 9001	LEXAN 943A-116, CS4W377C
AV4153-11	STERLING (PLATINUM II 4987)	LEXAN 940-GY7C056
AV4153-10	PLATINUM (FOSSIL)	LEXAN 940-BR6010
AV4153-9	BRONZE (AZIMM 4990)	LEXAN 940-BR6C011
AV4153-8	STERLING (SLATE)	LEXAN 940-GY3C037
AV4153-7	PLATINUM (CLAY)	LEXAN 940-BR4C018
AV4153-6	BROWN (FAWN)	LEXAN 940-BR6C009
AV4153-5	WHITE SAND PER BOEING 7363	LEXAN 940-WH1158
AV4153-4	GRAY PER DA2.13	LEXAN 940-GY5835
AV4153-3	GRAY PER FED-STD-595 #36231	LEXAN 940-GY2A484
AV4153-2	GRAY PER FED-STD-595 #36440	LEXAN 940-GY6814
AV4153-1	BLACK PER FED-STD-595 #27038	LEXAN 940-701

TABLE 1

QTY REQD	-XX	CAGE CODE	PART OR IDENTIFYING NO.	NOMENCLATURE OR DESCRIPTION	MATERIAL SPECIFICATION	ITEM NO.
	1		MN13552-XX	MOUNTING NUT	MATERIAL/COLOR PER TABLE 1	2
	1		4153-XX	AIR VALVE	MATERIAL/COLOR PER TABLE 1	1

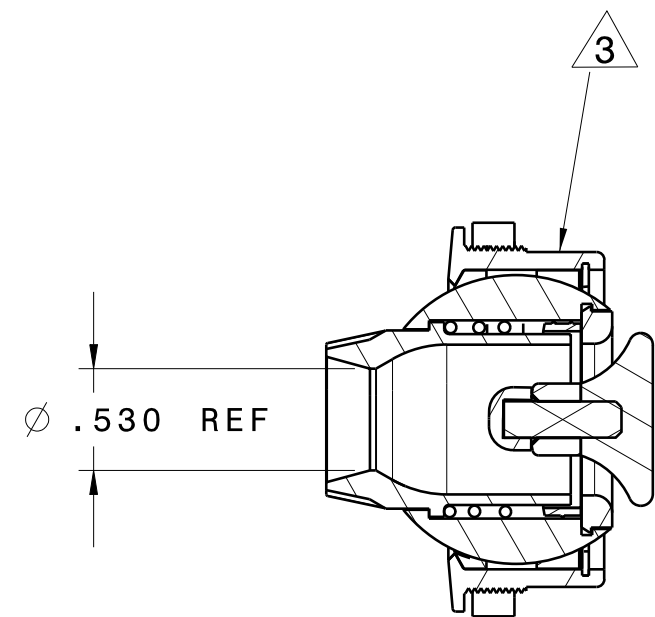
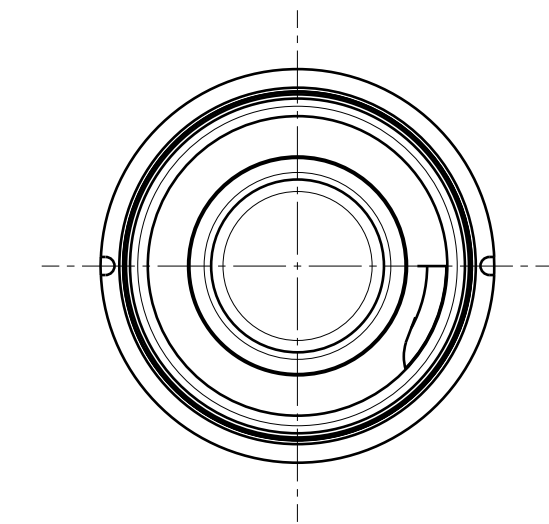
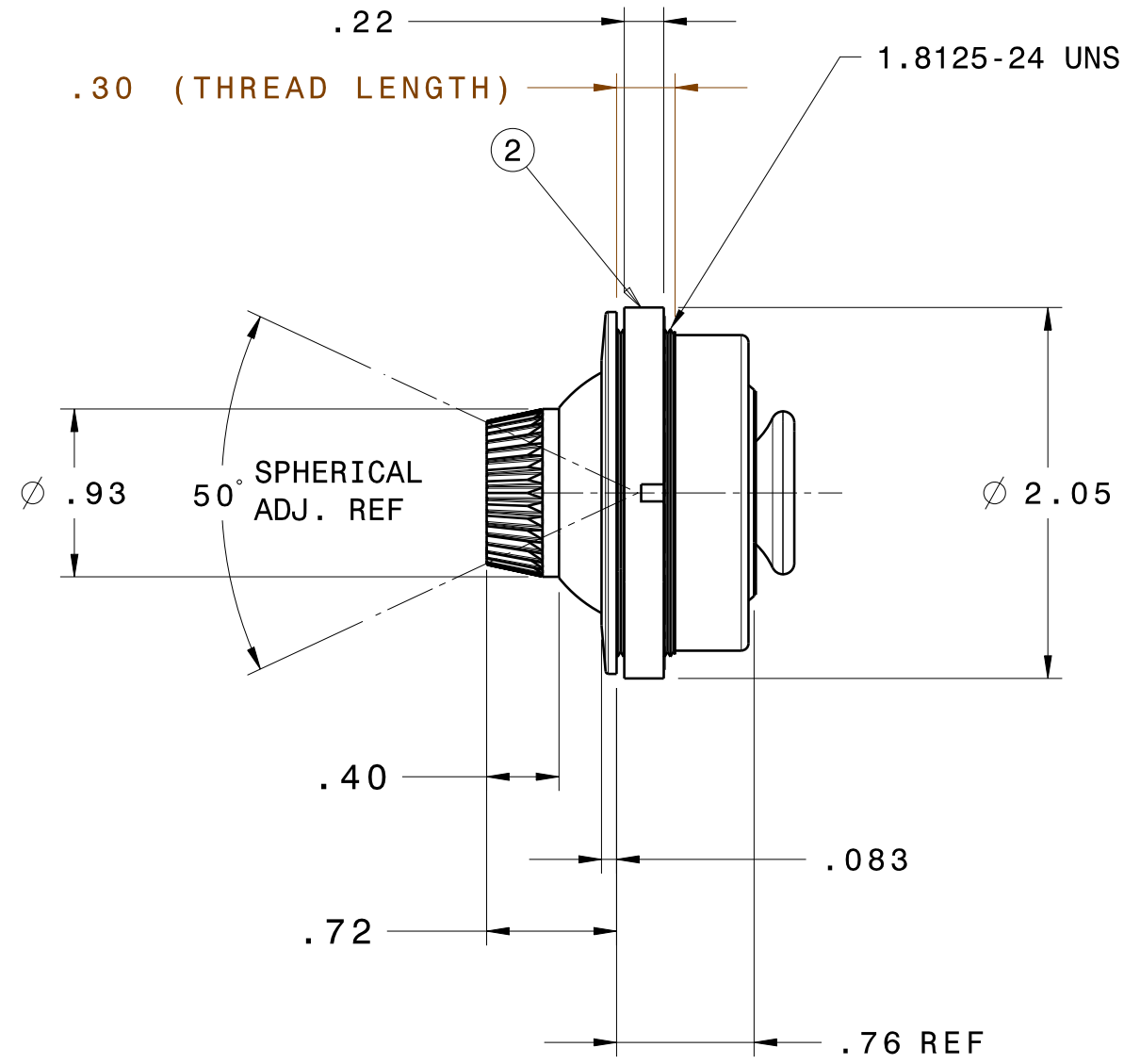
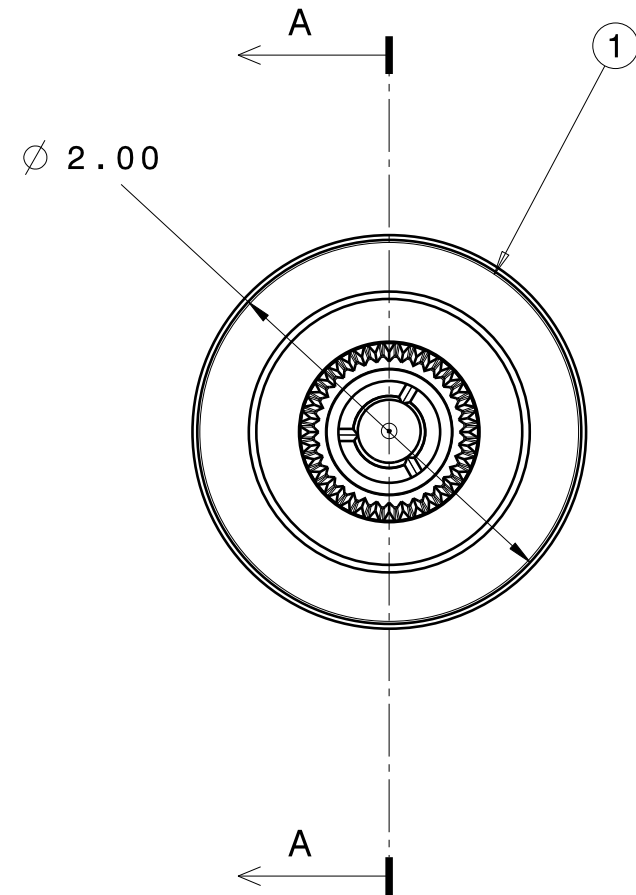
PARTS LIST

UNLESS OTHERWISE SPECIFIED DIMENSIONS ARE IN INCHES TOLERANCES ARE:		CONTRACT NO.		BIRK AEROSYSTEMS CORPORATION GARDEN GROVE, CALIFORNIA 92843	
FRACTIONS ± 1/32	DECIMALS .XX±.03	ANGLES ±1/2°	APPROVALS	DATE	TITLE
DO NOT SCALE DRAWING			DRAWN JMB	11-07-19	AIR VALVE, POPPET TYPE
MATERIAL SEE PL			CHECKED BLB	11-07-19	
FINISH SEE NOTE(S)			ENGR JMB	11-07-19	
TREATMENT			ISSUED CLB	11-07-19	
FILE NO. AV4153/PV			SCALE 1/1	WT.	SIZE CAGE CODE DWG. NO. REV. C 1XE65 AV4153 A
			SHEET 1 OF 2		

DWG. NO. AV4153  
 SH 1  
 REV A

THE INFORMATION DISCLOSED HEREIN WAS ORIGINATED BY AND IS THE PROPERTY OF BIRK AEROSYSTEMS CORPORATION. BIRK AEROSYSTEMS CORPORATION RESERVES ALL PATENT, PROPRIETARY, DESIGN, USE, MANUFACTURING AND REPRODUCTION RIGHTS.

ZONE	REV	DESCRIPTION	DATE	APPROVED
	-	SEE DCN 5310.	11-07-19	BLB



SECTION VIEW A-A

-XX

UNLESS OTHERWISE SPECIFIED DIMENSIONS ARE IN INCHES TOLERANCES ARE: FRACTIONS DECIMALS ANGLES $\pm 1/32$ .XX $\pm$ .03 $\pm 1/2^\circ$ DO NOT SCALE DRAWING MATERIAL SEE PL FINISH SEE NOTE(S) TREATMENT	CONTRACT NO.		BIRK AEROSYSTEMS CORPORATION GARDEN GROVE, CALIFORNIA 92843		
	APPROVALS		DATE	TITLE	
	DRAWN	JMB	11-07-19	AIR VALVE, POPPET TYPE	
	CHECKED	BLB	11-07-19	SIZE	CAGE CODE
	ENGR	JMB	11-07-19	DWG. NO.	REV.
	ISSUED	CLB	11-07-19	C 1XE65	AV4153 -
	FILE NO.	AV4153/PV		SCALE	WT.
				1/1	2

DWG. NO. AV4153  
SH 2  
REV -

A