

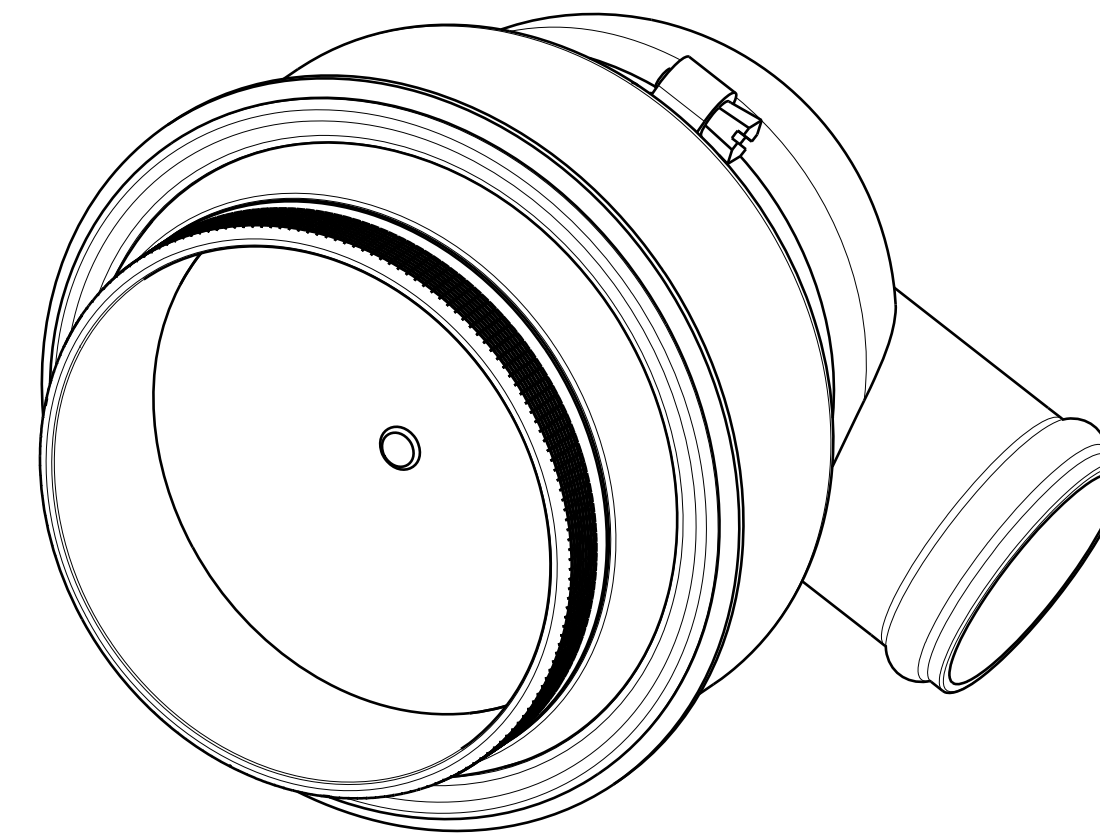
THE INFORMATION DISCLOSED HEREIN WAS ORIGINATED BY AND IS THE PROPERTY OF BIRK AEROSYSTEMS CORPORATION. BIRK AEROSYSTEMS CORPORATION RESERVES ALL PATENT, PROPRIETARY, DESIGN, USE, MANUFACTURING AND REPRODUCTION RIGHTS.

| | | | | | | |
|----------------------|-------|---|---|--|--|--|
| REV STATUS OF SHEETS | REV | - | - | | | |
| | SHEET | 1 | 2 | | | |

| ZONE | REV | DESCRIPTION | DATE | APPROVED |
|------|-----|--------------|----------|----------|
| | - | SEE DCN 8153 | 15-07-06 | BLB |

NOTE(S):

- ACCEPTANCE TEST PER ATP71011001.
- LEAKAGE IN FULLY CLOSED POSITION AT 5.0 INCHES OF APPLIED WATER PRESSURE: 0.30 SCFM MAX.
- FINISH:
-1: BALL, FLANGE, NOZZLE, DISC: FINE SATIN CLEAR ANODIZE PER MIL-A-8625 TYPE II, CLASS 1. NICKEL ACETATE SEAL.
PLENUM CAP: CLEAR ANODIZE PER MIL-A-8625 TYPE II, CLASS 1. NICKEL ACETATE SEAL.
- MAXIMUM WEIGHT: 320 GRAMS
- NOZZLE ROTATION FROM OPEN TO CLOSED: 90°+/-5°.
- PERMANENTLY IDENTIFY WITH THE FOLLOWING:
BAC
PART NUMBER: AV71011001-1
MFG DATE CODE (YYWW)
- ALL DIMENSIONS ARE IN MILLIMETERS UNLESS NOTED.
- FOR GEOMETRIC INFORMATION NOT SHOWN ON THE FACE OF THIS DRAWING CAD MODEL TYPE DEFINITION IS AV71011001-1 REV.-.CATPart.



ISOMETRIC VIEW

| QTY REQD | -1 | CAGE CODE | PART OR IDENTIFYING NO. | NOMENCLATURE OR DESCRIPTION | MATERIAL SPECIFICATION | ITEM NO. |
|----------|----|-----------|-------------------------|-----------------------------|------------------------|----------|
| | 1 | 1XE65 | 62M44 | CLAMP ASSY | SST | 4 |
| | 1 | 1XE65 | 71011001-110-1 | PLENUM CAP | LEXAN 940-701 | 3 |
| | 1 | 1XE65 | 71011001-120-2 | MOUNTING NUT | AL ALLOY 6061-T6511 | 2 |
| | 1 | 1XE65 | 71011001-101-1 | AIR VALVE, DISC TYPE | AL ALLOY/SST | 1 |

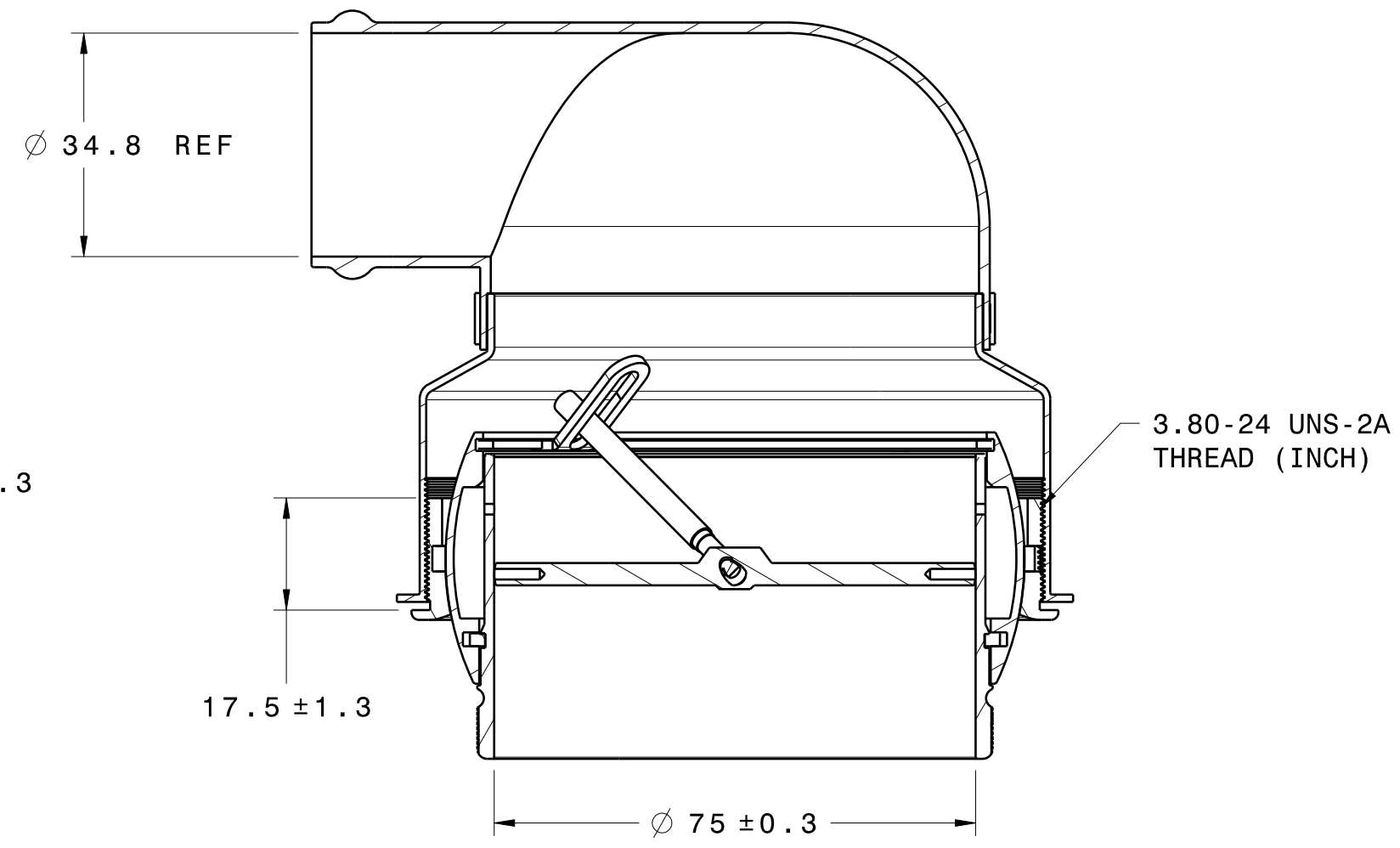
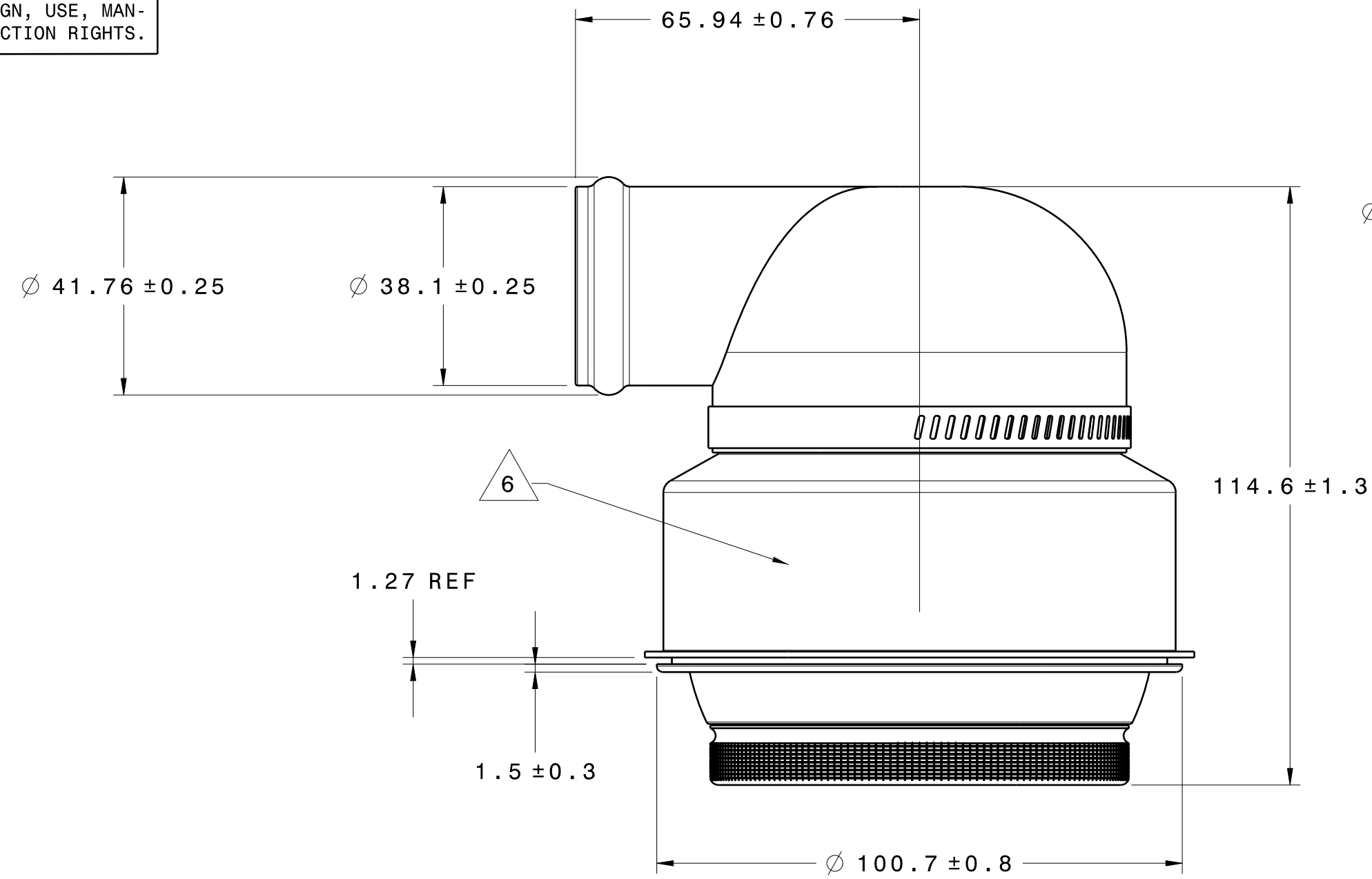
PARTS LIST

| | | | | | |
|--|--|------------------------|----------|--|------------|
| UNLESS OTHERWISE SPECIFIED DIMENSIONS ARE IN INCHES TOLERANCES ARE: FRACTIONS DECIMALS ANGLES ±.1/32 .XX±.03 ±1/2° DO NOT SCALE DRAWING | | CONTRACT NO. | | BIRK AEROSYSTEMS CORPORATION GARDEN GROVE, CALIFORNIA 92843 | |
| MATERIAL SEE PL | | APPROVALS | DATE | TITLE AIR VALVE, DISC TYPE, 75MM ID | |
| FINISH SEE NOTE(S) | | DRAWN JMB | 15-07-06 | SIZE | CAGE CODE |
| TREATMENT | | CHECKED VSG | 15-07-06 | C | 1XE65 |
| | | ENGR JMB | 15-07-06 | DWG. NO. | AV71011001 |
| | | ISSUED CLB | 15-07-06 | SCALE | 1:1 |
| | | FILE NO. AV71011001/PV | | WT. | |
| | | | | SHEET | 1 OF 2 |

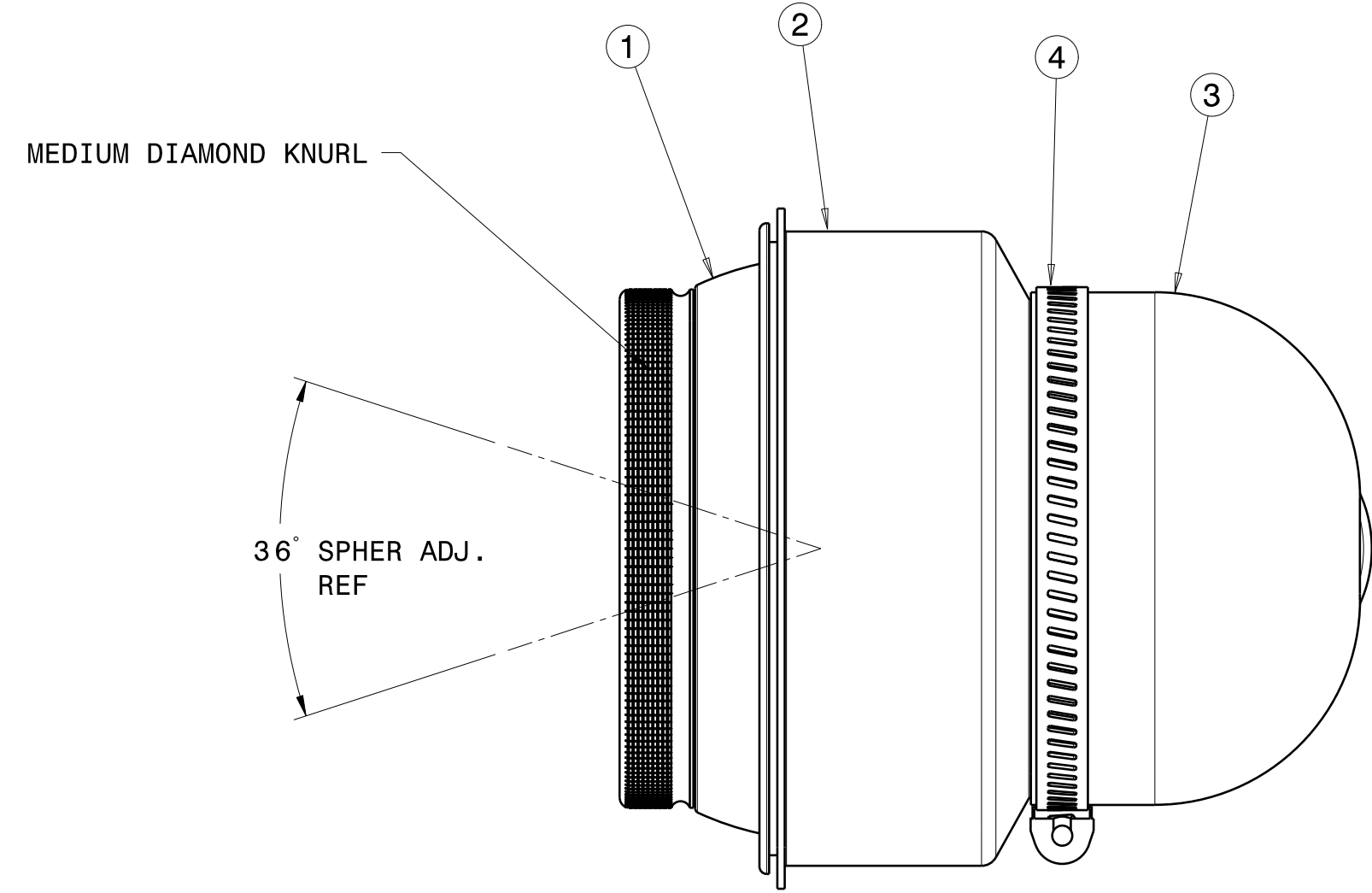
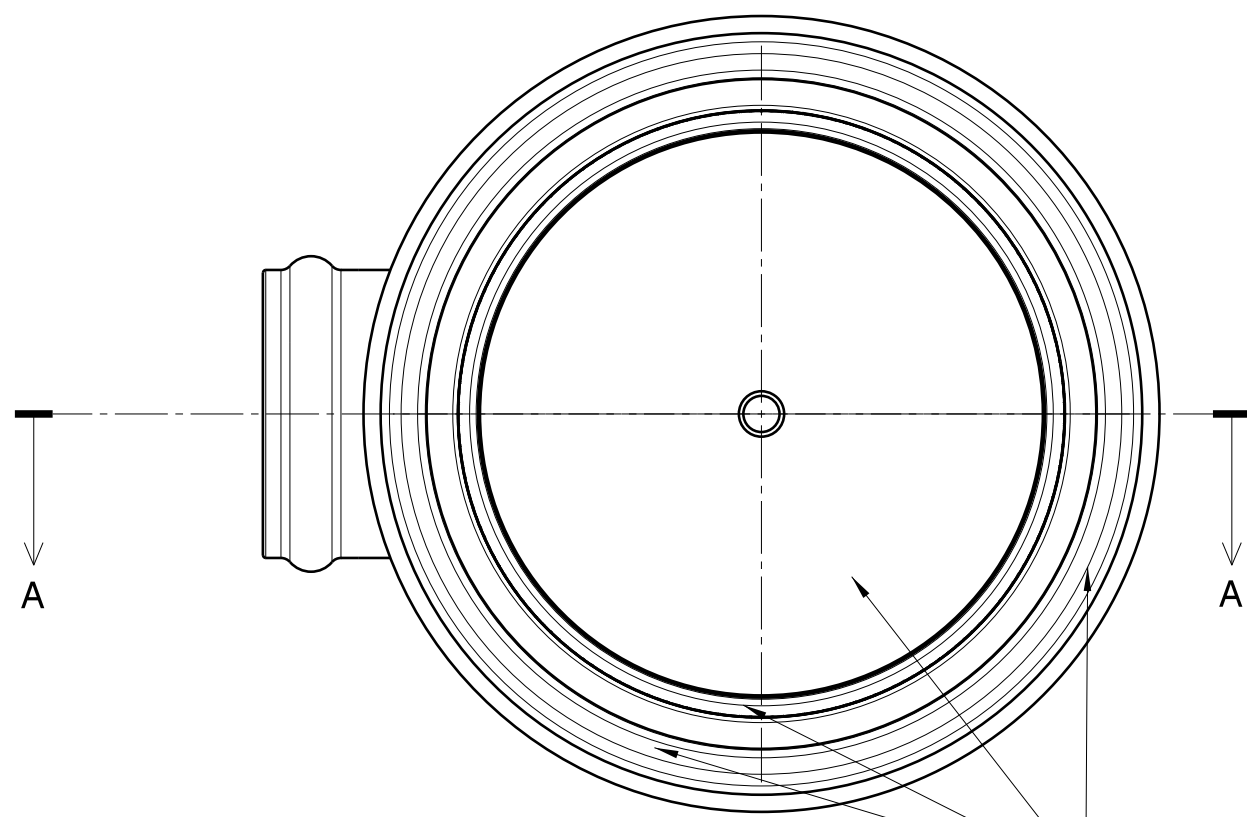
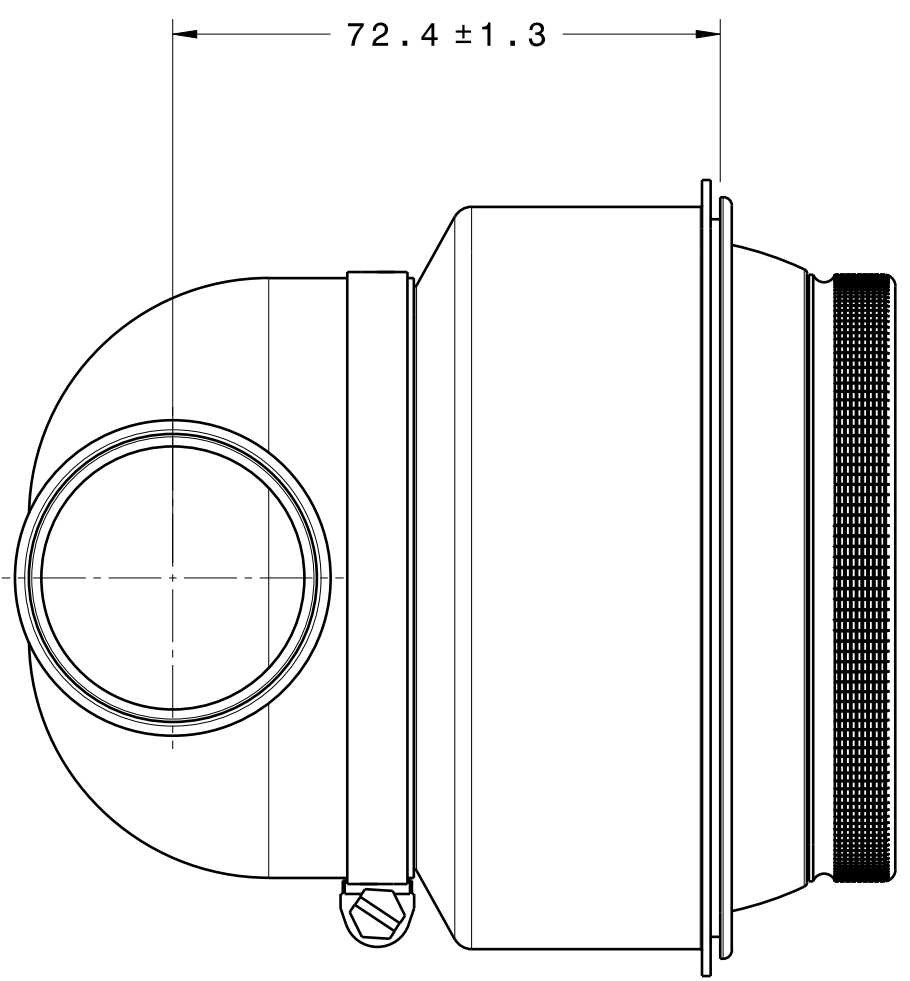
DWG. NO. AV71011001
 SH 1
 REV -

THE INFORMATION DISCLOSED HEREIN WAS ORIGINATED BY AND IS THE PROPERTY OF BIRK AEROSYSTEMS CORPORATION. BIRK AEROSYSTEMS CORPORATION RESERVES ALL PATENT, PROPRIETARY, DESIGN, USE, MANUFACTURING AND REPRODUCTION RIGHTS.

| ZONE | REV | DESCRIPTION | DATE | APPROVED |
|------|-----|--------------|----------|----------|
| | - | SEE DCN 8153 | 15-07-06 | BLB |



SECTION VIEW A-A



COSMETIC SURFACES

-1

| | | | | | |
|---|-----------|--------------|----------------|--------------------------------|-----------------------|
| UNLESS OTHERWISE SPECIFIED DIMENSIONS ARE IN INCHES | | CONTRACT NO. | | BIRK AEROSYSTEMS CORPORATION | |
| TOLERANCES ARE: | | APPROVALS | | GARDEN GROVE, CALIFORNIA 92843 | |
| FRACTIONS | DECIMALS | ANGLES | DRAWN | DATE | TITLE |
| ± 1/32 | .XX ± .03 | ± 1/2° | JMB | 15-07-06 | AIR VALVE, DISC TYPE, |
| DO NOT SCALE DRAWING | | CHECKED | VSG | 15-07-06 | 50.0MM ID |
| MATERIAL SEE PL | | ENGR | JMB | 15-07-06 | SIZE |
| FINISH SEE NOTE(S) | | ISSUED | CLB | 15-07-06 | CAGE CODE |
| TREATMENT | | FILE NO | AV71011001/PV2 | SCALE | 1:1 |
| | | | | WT. | |
| | | | | SHEET | 2 |

DWG. NO. AV71011001
 SH. 2
 REV. 1

4

3

2

1

D

D

C

C

B

B

A

A