

1

2

3

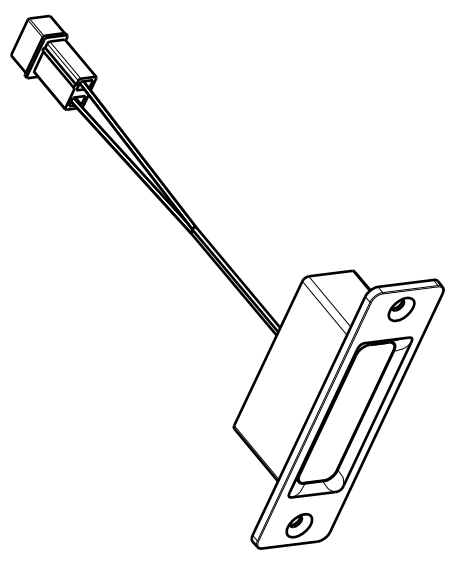
4

ZONE	REV	DESCRIPTION	DATE	APPROVED
	-	SEE DCN 4883.	11-01-25	BLB

REV STATUS OF SHEETS	REV	-	-
	SHEET	1	2

NOTE(S):

- LED COLOR: WARM WHITE
- ACCEPTANCE TEST AT NEXT LEVEL ASSY AL5164-1.

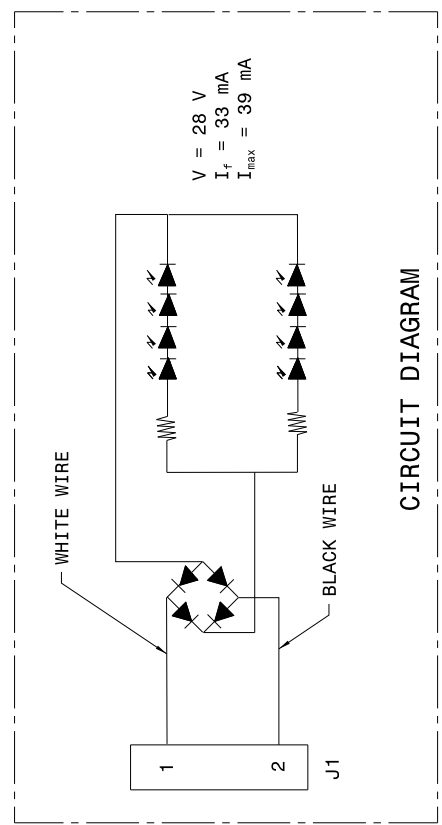


ISOMETRIC VIEW

THE INFORMATION DISCLOSED HEREIN WAS ORIGINATED BY AND IS THE PROPERTY OF BIRK AEROSYSTEMS CORPORATION. BIRK AEROSYSTEMS CORPORATION RESERVES ALL PATENT, PROPRIETARY DESIGN, USE, MANUFACTURING AND REPRODUCTION RIGHTS.

DWG. NO. 5164

QTY	RECORD	CODE	IDENTIFYING NO.	OR. DESCRIPTION	OR. SPECIFICATION	ITEM NO.
2	3A059		91430A007	SCREW, 1.6MM	SST	11
	AR	QPL	5774	URALANE	EPOXY	10
	AR	QPL	3888-1	METHYLENE CHLORIDE	SOLVENT	9
	3	1XE65	2912-1	TUBE	POLYOLEFIN	8
	2	1XE65	60618-1	PIN	BRASS	7
	1	00779	1-480319-0	CAP, 2 CIRCUIT	NYLON	6
	1	1XE65	2224-1	PCB ASSY, ENTRY LT	LEXAN 940-701	5
	1	1XE65	2219-1	PCB ASSY COVER	LEXAN 940-701	4
	1	1XE65	2218-1	PCB ASSY SUPPORT	LEXAN 943A-116, CS4W392C	3
	1	1XE65	2217-1	LENS, ENTRY LIGHT	LEXAN 940A OR 943A	2
	1	1XE65	2216-1-M03	HOUSING, ENTRY LT	LEXAN 940-701	1
				CONTRACT NO.		
				DATE		
				APPROVALS		
				DRAWN	BLB	11-01-25
				CHECKED	CLB	11-01-25
				ENGR	BLB	11-01-25
				ISSUED	CLB	11-01-25
				FILE NO.	5164/PV	



CIRCUIT DIAGRAM

UNLESS OTHERWISE SPECIFIED DIMENSIONS ARE IN INCHES TOLERANCES ARE: FRACTIONS .XX .03 .12 DECIMALS .XX .010 .12 MATERIAL SEE PL FINISH SEE NOTE(S) TREATMENT

CONTRACT NO.		BIRK AEROSYSTEMS CORPORATION	
DATE		GARDEN GROVE, CALIFORNIA 92843	
APPROVALS	DATE	TITLE	
DRAWN	BLB	11-01-25	ENTRY LIGHT, LED TYPE
CHECKED	CLB	11-01-25	
ENGR	BLB	11-01-25	
ISSUED	CLB	11-01-25	
FILE NO.	5164/PV	SCALE	1/1
		DWG. NO.	5164
		CAGE CODE	C 1XE65
		REV.	-
		SHEET	1 OF 2

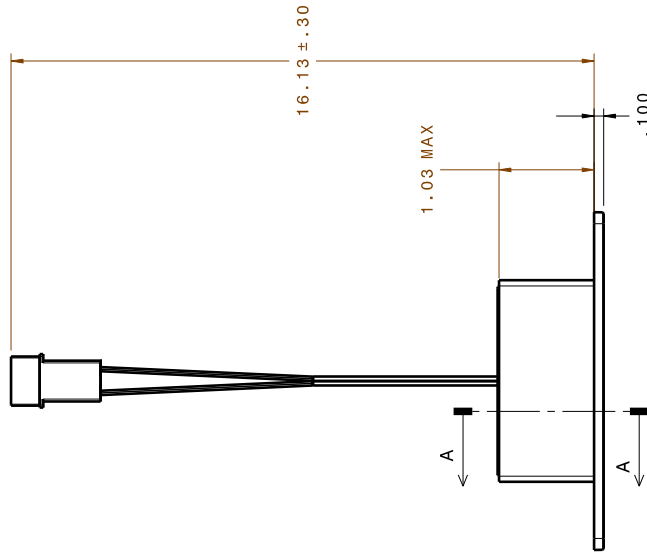
1

2

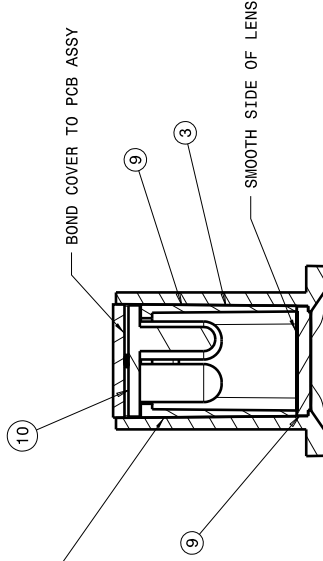
3

4

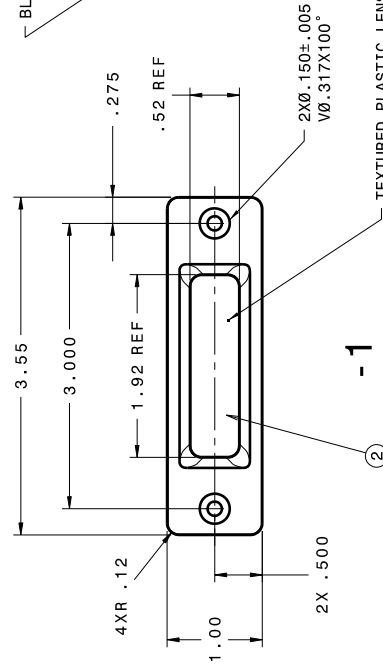
THE INFORMATION DISCLOSED HEREIN WAS ORIGINATED BY AND IS THE PROPERTY OF BIRK AEROSYSTEMS CORPORATION. BIRK AEROSYSTEMS CORPORATION RESERVES ALL PATENT, PROPRIETARY DESIGN, USE, MANUFACTURING AND REPRODUCTION RIGHTS.



SOLVENT BOND LENS AND PCB ASSY SUPPORT TO HOUSING



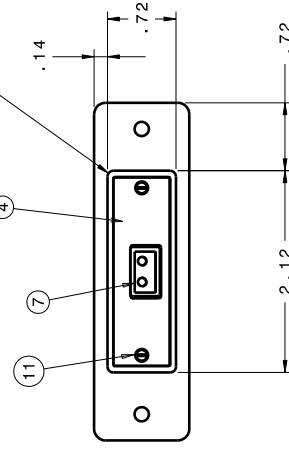
SECTION A-A  
SCALE: 2:1



BLACK POLYCARBONATE HOUSING

22 GAGE WIRE PER MIL-W-22759/34-22

CAP AMP PN 1-480319-0  
PIN PIPER PN PS10025-8-3P  
(2 PLACES)



J1

STRESS RELIEVE WITH ADHESIVE

TEXTURED PLASTIC LENS (CLEAR POLYCARBONATE)

UNLESS OTHERWISE SPECIFIED DIMENSIONS ARE IN INCHES TOLERANCES ARE: FRACTIONS DECIMALS ANGLES	CONTRACT NO.	DATE	TITLE
±.100 ±.005 ±1/2°	APPROVALS	11-01-25	ENTRY LIGHT, LED TYPE
DO NOT SCALE DRAWING MATERIAL SEE PL	DRAWN	11-01-25	
FINISH SEE NOTE(S)	CHECKED	11-01-25	
TREATMENT	ENGR	11-01-25	
	ISSUED	11-01-25	
	FILE NO. 5164/PV2	SCALE 1/1	SHEET 2

BIRK AEROSYSTEMS CORPORATION GARDEN GROVE, CALIFORNIA 92843	
DWG. NO. 5164	
REV. 2	REV. 1
DWG. NO. 5164	
CAGE CODE 1XE65	
REV. -	

1

2

3

4

1

2

3

4

1

2

3

4

1

2

3

4